

Cylinder-bed, 1-Needle, Unison-feed, Lockstitch Machine
(Large Hook)

筒型一本針本縫総合送りミシン (大釜)

LS-1342

Cylinder-bed, 1-Needle, Unison-feed, Lockstitch Machine
with Automatic Thread Trimmer (Large Hook)

筒型一本針本縫総合送り自動糸切りミシン (大釜)

LS-1342-7

PARTS LIST

HOW TO MAKE USE OF THIS PARTS LIST

1. As to "#01" and "#02" refer to the "Note" given at the bottom of the respective pages.
2. Codes on the "Qty" column
 - Each numeral indicates the number of parts required.
 - "0.1" and "2.5" indicate the length (in meters) of the respective parts.
3. Parentheses mean that the corresponding part is a subpart that constructs an assembly part.
4. Dotted lines on the Figures indicate assembly parts.

パーツリストご利用に際して

1. リストページの#01、#02等の印は、ページ下の"注記"の説明をご参照下さい。
2. 数量欄の数字は、個数を表し、0.1、2.5等の数値は、長さ(単位メートル)を表します。
3. 数量欄の()は、組部品を構成している子部品であることを意味します。
4. イラストページの-----枠は、組構成であることを意味します。

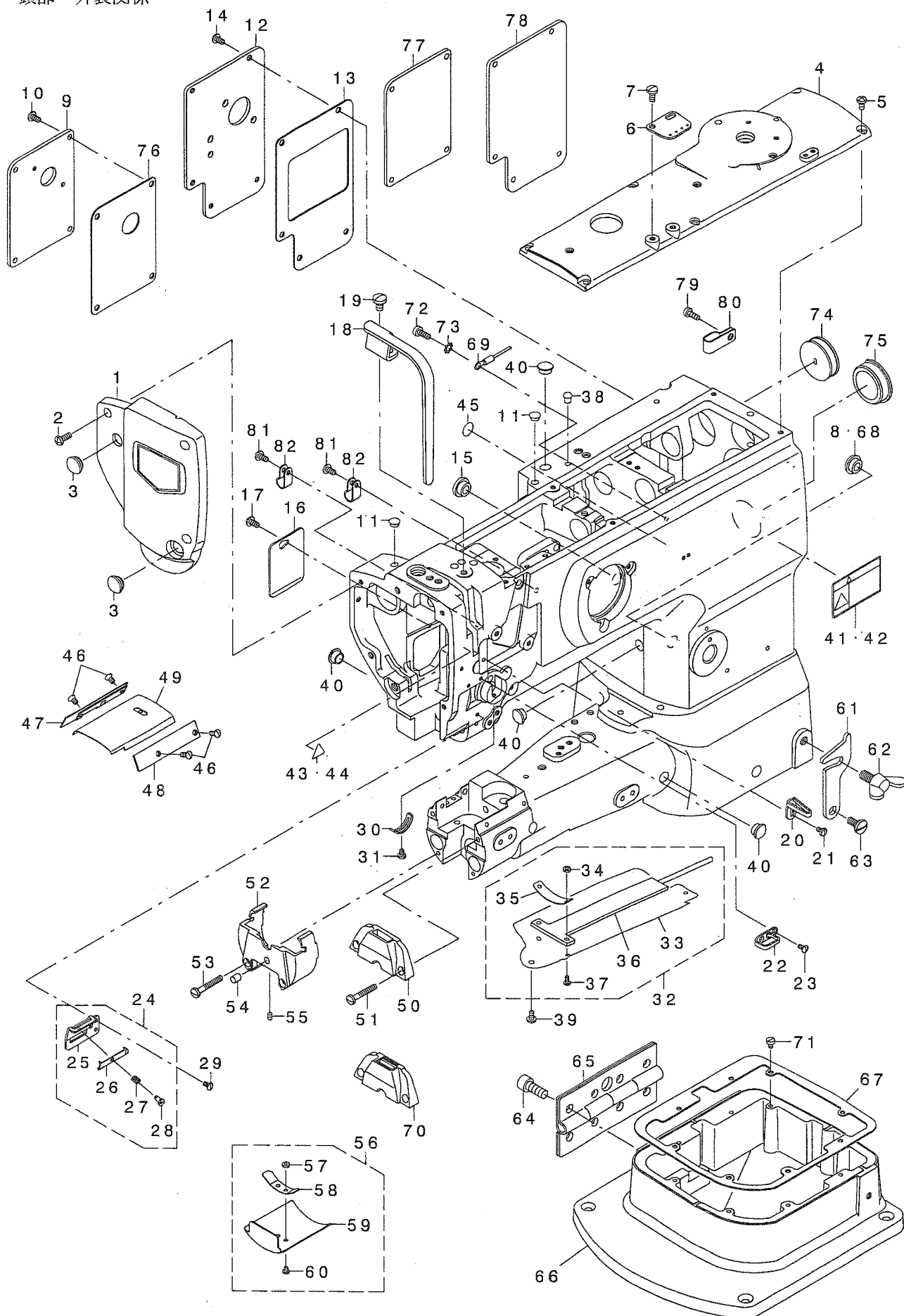
CONTENTS

目 次

| | |
|---|----|
| 1. FRAME & MISCELLANEOUS COVER COMPONENTS | 1 |
| 頭部・外装関係 | |
| 2. UPPER SHAFT DRIVING & BALANCE COMPONENTS | 3 |
| 上軸・天秤関係 | |
| 3. NEEDLE BAR ROCKING COMPONENTS | 4 |
| 針棒揺動関係 | |
| 4. PRESSURE ADJUSTING & UPPER FEED MECHANISM COMPONENTS | 5 |
| 押え圧調節・上送り関係 | |
| 5. FEED MECHANISM COMPONENTS | 7 |
| 送り関係 | |
| 6. HOOK SHAFT & LOWER SHAFT COMPONENTS | 9 |
| 釜軸・下軸関係 | |
| 7. THREAD TRIMMER COMPONENTS (FOR LS-1342-7) | 11 |
| 糸切り関係 (LS-1342-7用) | |
| 8. AUTOMATIC BACK COMPONENTS (FOR LS-1342-7) | 12 |
| 自動バック関係 (LS-1342-7用) | |
| 9. CONTROL DEVICE COMPONENTS (FOR LS-1342-7) | 13 |
| 制御装置関係 (LS-1342-7用) | |
| 10. THREAD RELEASE COMPONENTS (FOR LS-1342-7) | 15 |
| 糸ゆるめ関係 (LS-1342-7用) | |
| 11. DL DEVICE COMPONENTS (FOR LS-1342-7) | 16 |
| DL 装置関係 (LS-1342-7用) | |
| 12. AUTOMATIC HAND LIFTER (OPTION) COMPONENTS (FOR LS-1342-7) | 17 |
| 自動押え上げ関係 (オプション) (LS-1342-7用) | |
| 13. THREAD TENSION COMPONENTS | 18 |
| 糸調子関係 | |
| 14. LOWER THREAD WINDER MECHANISM COMPONENTS | 19 |
| 下糸巻き装置関係 | |
| 15. KNEE LIFTER COMPONENTS | 20 |
| 膝上げ関係 | |
| 16. LUBRICATION COMPONENTS | 21 |
| 給油関係 | |
| 17. BELT COVER & OIL RESERVOIR COMPONENTS | 22 |
| ベルトカバー・油抜き関係 | |
| 18. THREAD STAND COMPONENTS | 23 |
| 糸立て装置関係 | |
| 19. ACCESSORIES PARTS COMPONENTS | 24 |
| 付属品関係 | |
| NUMERICAL INDEX OF PARTS | 25 |
| 索引 | |

1. FRAME & MISCELLANEOUS COVER COMPONENTS

頭部・外装関係



| REF. NO | NOTE | PART NO. | DESCRIPTION | Qty |
|---------|------|---------------|--------------------------------|-----|
| 1 | | 214-01757 | FACE PLATE ASM. | 1 |
| 2 | | SS-4111215-SP | SCREW 11/64-40 L=12 | 3 |
| 3 | | TA-1250406-RO | RUBBER PLUG D=12.5 L=4 | 2 |
| 4 | | 213-31301 | TOP COVER B | 1 |
| 5 | | SS-4110815-SP | SCREW 11/64-40 L=8 | 6 |
| 6 | | 213-55904 | ARM THREAD GUIDE | 1 |
| 7 | | SS-7621040-SP | SCREW 3/16-32 L= 9.5 | 2 |
| 8 | #03 | 106-22009 | COAD BUSH | 1 |
| 9 | #03 | 214-37207 | WINDOW PLATE F | 1 |
| 10 | | SS-4110815-SP | SCREW 11/64-40 L=8 | 4 |
| 11 | | TA-0750404-RO | PLUG D=7.5 L=3.5 | 2 |
| 12 | #03 | 213-48909 | WIDOW PLATE D | 1 |
| 13 | | 213-32002 | WINDOW PLATE PACKING B | 1 |
| 14 | | SS-4110815-SP | SCREW 11/64-40 L=8 | 5 |
| 15 | | TA-1250504-RO | RUBBER PLUG | 1 |
| 16 | | 213-32309 | SIDE COVER | 1 |
| 17 | | SS-4110815-SP | SCREW 11/64-40 L=8 | 1 |
| 18 | | 213-31608 | BALANCE COVER | 1 |
| 19 | | SS-7150910-TP | SCREW 15/64-28 L=9 | 1 |
| 20 | | 213-55805 | THREAD GUIDE | 1 |
| 21 | | SS-5090610-SP | SCREW 9/64-40 L=6 | 1 |
| 22 | | B1129-051-000 | FRAME THREAD GUIDE, UPPER | 1 |
| 23 | | SS-2090710-TP | SCREW 9/64-40 L=7.2 | 2 |
| 24 | | 214-08554 | THREAD GUIDE ASM. | 1 |
| 25 | | 214-08505 | THREAD GUIDE PLATE | (1) |
| 26 | | 179-12106 | NEEDLE THREAD PRESSER PLATE | (1) |
| 27 | | B1132-521-000 | THREAD PRESSER PLATE SPRING | (1) |
| 28 | | SD-0380551-SL | HINGE SCREW D= 3.80 H= 5.5 | (1) |
| 29 | | SS-2090710-TP | SCREW 9/64-40 L=7.2 | 1 |
| 30 | | B3138-512-000 | TAKE-UP SPRING ADJUSTING PLATE | 1 |
| 31 | | SS-7090520-TP | SCREW 9/64-40 L= 4.5 | 1 |
| 32 | | 214-26754 | SYLINDER COVER ASM. | 1 |
| 33 | | 214-26705 | SYLINDER COVER | (1) |
| 34 | | NM-6030003-SC | NUT M3 | (2) |
| 35 | | 214-26903 | FELT PRESSER PLATE | (1) |
| 36 | | 214-26853 | SYLINDER COVER FELT ASM. | (1) |
| 37 | | SM-4030601-SC | SCREW M3 X 6 | (2) |
| 38 | | TA-0550604-RO | RUBBER PLUG | 1 |
| 39 | | SS-5110710-SP | SCREW 11/64-40 L=7 | 1 |
| 40 | | TA-1050504-RO | RUBBER PLUG | 4 |
| 41 | #01 | CM-3002001-01 | SAFETY LABEL, 1(SMALL). | 1 |
| 42 | #02 | CM-3002001-A1 | SAFETY LABEL., 3 (SMALL). | 1 |
| 43 | #01 | CM-3002000-B1 | LABEL(16) | 1 |
| 44 | #02 | CM-3002000-01 | ATTENTION SEAL | 1 |
| 45 | | 100-04109 | GROUND MARK | 1 |
| 46 | | SS-2090520-SL | SCREW 9/64-40 L=5 | 4 |
| 47 | | 214-26606 | BED SLIDE SIDE PLATE , LEFT | 1 |
| 48 | | 231-00506 | BED SLIDE SIDE PLATE , RIGHT | 1 |
| 49 | | 212-20413 | BED PLATE | 1 |
| 50 | | 214-37009 | THROAT PLATE | 1 |
| 51 | | SS-7112810-SP | SCREW 11/64-40 L=28 | 2 |
| 52 | | 214-26200 | THROAT PLATE BASE | 1 |
| 53 | | SS-7113110-SP | SCREW 1/64-40 L=30 | 2 |
| 54 | | 214-28206 | FEED BASE SUPPORT | 1 |
| 55 | | SM-8040502-TP | SCREW M4X0.7 L=5 | 1 |
| 56 | | 214-26051 | THROAT PLATE BASE COVER ASM. | 1 |
| 57 | | NM-6030003-SC | NUT M3 | (2) |
| 58 | | 214-26101 | THROAT PLATE BASE COVER SPRING | (1) |
| 59 | | 214-26002 | THROAT PLATE BASE COVER | (1) |
| 60 | | SM-4030401-SC | SCREW M3X0.5 L=4 | (2) |
| 61 | | B1117-246-000 | HOOK | 1 |
| 62 | | B1116-246-000 | WING BOLT | 1 |
| 63 | | SD-0800352-SP | HINGE SCREW D= 8 H= 3.5 | 1 |
| 64 | | SM-6082002-TP | SCREW M3 L=20 | 8 |
| 65 | | 214-26507 | HINGE | 1 |
| 66 | | 214-26309 | BED HOLDING BASE | 1 |
| 67 | | 214-26408 | BED HOLDING BASE PACKING | 1 |
| 68 | #04 | TA-1250504-RO | RUBBER PLUG | 1 |
| 69 | #03 | 214-44153 | EARTH CORD ASM. | 1 |
| 70 | #05 | 214-37405 | THROAT PLATE | 1 |
| 71 | | SS-8090520-SP | SCREW 9/64-40 L= 5.0 | 8 |
| 72 | | SS-6111140-SP | SCREW 11/64-40 L=11 | 1 |
| 73 | | WT-0530002-KS | TOOTHED WASHER D=5.3 | 1 |
| 74 | | 102-01200 | RUBBER PLUG | 1 |
| 75 | | 226-19100 | CAP | 1 |
| 76 | | 214-37306 | WINDOW PLATE E PACKING | 1 |
| 77 | #04 | 214-37108 | WINDOW PLATE E | 1 |
| 78 | #04 | 213-31806 | WINDOW PLATE B | 1 |
| 79 | | SS-6111140-SP | SCREW 11/64-40 L=11 | 1 |
| 80 | | D2112-555-B00 | CORD HOLDER, LARGE | 1 |
| 81 | #03 | SS-4110815-SP | SCREW 11/64-40 L=8 | 2 |
| 82 | #03 | HX-0012300-0A | CABLE CLIP | 3 |

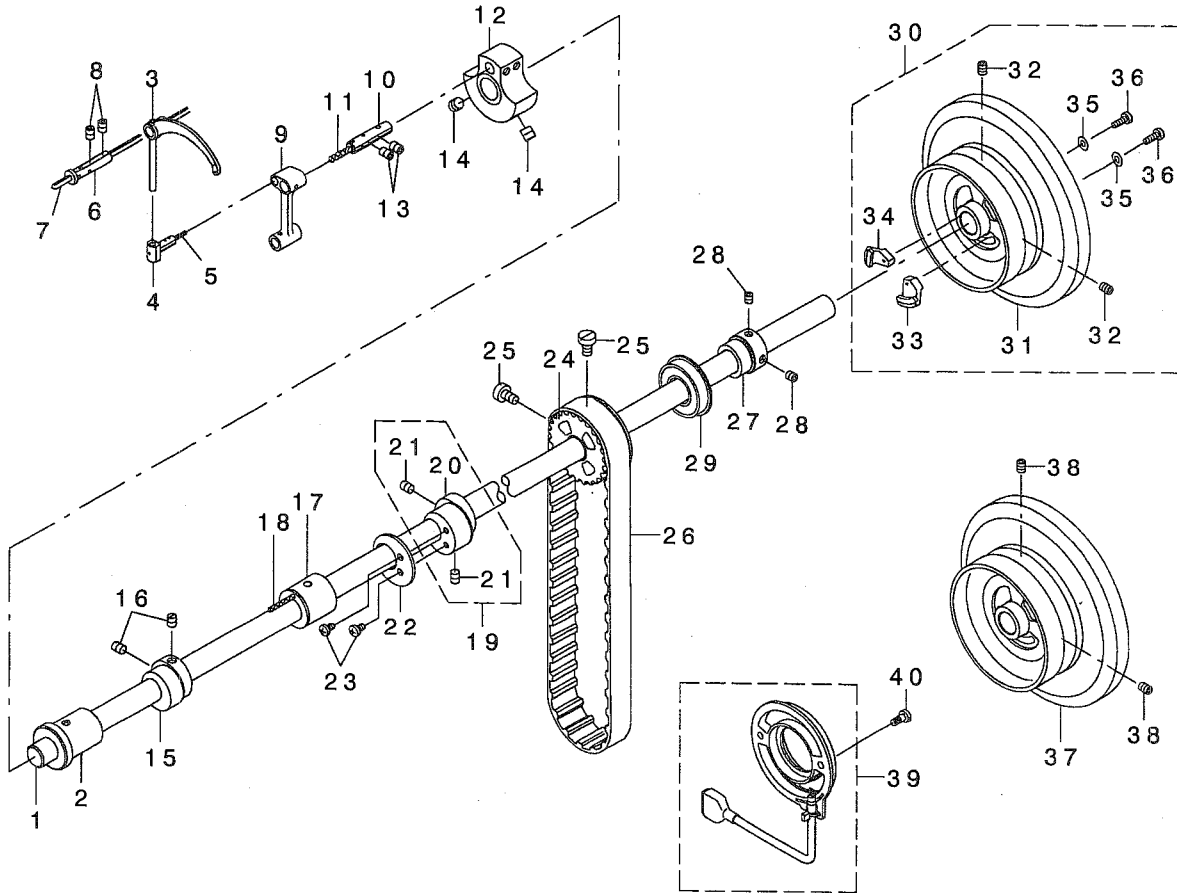
NOTE (注記)

#01....FOR JAPAN
#02....EXCEPT JAPAN
#03....FOR LS-1342-7
#04....FOR LS-1342
#05....FOR OPTION

日本用
日本を除く
LS-1342-7用
LS-1342用
オプション部品

2. UPPER SHAFT DRIVING & BALANCE COMPONENTS

上軸・天秤関係



| REF. NO | NOTE | PART NO. | DESCRIPTION | とよみ | Qty |
|---------|------|---------------|----------------------------|---------------------|------|
| 1 | | 213-32705 | UPPER SHAFT | ウツク | 1 |
| 2 | | 213-33000 | UPPER SHAFT FRONT METAL | ウツク クマエメタル | 1 |
| 3 | | 214-02102 | THREAD TAKE-UP LEVER | テロビ ヲ | 1 |
| 4 | | 226-05406 | TAKE-UP LEVER THRUST PIN | テロビ ンスライト シク | 1 |
| 5 | | CQ-2020000-00 | OIL WICK | エツシ | 0.03 |
| 6 | | B1906-051-000 | TAKE-UP LEVER PIN | テロビ ヲ 挿シツク | 1 |
| 7 | | CQ-3030000-00 | OIL WICK | エツシ | 0.2 |
| 8 | | SS-8150822-TP | SCREW 15/64-28 L=8 | トメネツ 15/64-28 L=8 | 2 |
| 9 | | 213-39106 | NEEDLE BAR CRANK ROD | ハリネ ヲ クランクロッド | 1 |
| 10 | | B1210-051-000 | NEEDLE BAR CRANK PIN | ハリネ - クランクピン | 1 |
| 11 | | CQ-5050000-00 | OIL WICK | エツシ | 0.03 |
| 12 | | 213-32507 | COUNTER WEIGHT (A) (36MM) | ツリスイ(A)(36MM) | 1 |
| 13 | | SS-8150822-TP | SCREW 15/64-28 L=8 | トメネツ 15/64-28 L=8 | 2 |
| 14 | | SM-8080812-TP | SCREW M8X8 | トメネツ M8 L=8 | 2 |
| 15 | | 213-39502 | UPPER FEED CAM (3.5) | ウエツクリカム(3.5) | 1 |
| 16 | | SS-8660810-TP | SCREW 1/4-40 L=8 | トメネツ 1/4-40 L=8 | 2 |
| 17 | | 213-33109 | UPPER SHAFT INNER METAL | ウツク クナカメタル | 1 |
| 18 | | CQ-2020000-00 | OIL WICK | エツシ | 0.25 |
| 19 | | 213-36557 | ECCENTRIC CAM A ASM. | スイハネツクリハンツシカAA(クミ) | 1 |
| 20 | | 213-36508 | ECCENTRIC CAM A | スイハネツクリハンツシカAA | (1) |
| 21 | | SS-8660810-TP | SCREW 1/4-40 L=8 | トメネツ 1/4-40 L=8 | (2) |
| 22 | | 213-53008 | HORIZONTAL FEED CAM COVER | スイハネツクリカムフタ | 1 |
| 23 | | SS-7110710-SP | SCREW 11/64-40 L=7 | マシヒラネツ 11/64-40 L=7 | 2 |
| 24 | | 226-04904 | UPPER SPROCKET | ウエツク ロケット | 1 |
| 25 | | SS-6661110-SP | SCREW 1/4-40 L=11 | ヒラネツ 1/4-40 L=11 | 2 |
| 26 | | 214-27109 | TIMING BELT | タイミンツク ベルト | 1 |
| 27 | | 214-02300 | UPPER SHAFT BEARING HOOK | ウエツク クハ アリツク クハ | 1 |
| 28 | | SM-8060602-TP | SCREW M6X6 | トメネツ M6 L=6 | 2 |
| 29 | | B1203-512-000 | BUSHING, REAR | ウツク ク ウツロハ アリツク | 1 |
| 30 | #01 | 214-27059 | FLYWHEEL ASM. | ハズ ミツク ルマ(クミ) | 1 |
| 31 | | 214-27000 | FLYWHEEL | ハズ ミツク ルマ | (1) |
| 32 | | SS-8150822-TP | SCREW 15/64-28 L=8 | トメネツ 15/64-28 L=8 | (2) |
| 33 | | M4007-110-OAA | MAGNET FITTING BASE A ASM. | マグ ネット トリツクダ イ A クミ | (1) |
| 34 | | M4007-110-OAB | MAGNET FITTING BASE B ASM. | マグ ネット トリツクダ イ B クミ | (1) |
| 35 | | WP-0450801-SD | WASHER 4.5X10X0.8 | ヒラネツ ガネ 4.5X10X0.8 | (2) |
| 36 | | SS-6111210-SP | SCREW 11/64-40 L=12 | ヒラネツ 11/64-40 L=12 | (2) |
| 37 | #02 | 214-27000 | FLYWHEEL | ハズ ミツク ルマ | 1 |
| 38 | #02 | SS-8150822-TP | SCREW 15/64-28 L=8 | トメネツ 15/64-28 L=8 | 2 |
| 39 | #01 | 214-40474 | CONTAIN SYNCHRO ASM. | ナイツ ウツシクロ(クミ) | 1 |
| 40 | #01 | 106-04809 | SCREW | ハツデンキ スターター トメネツ | 2 |

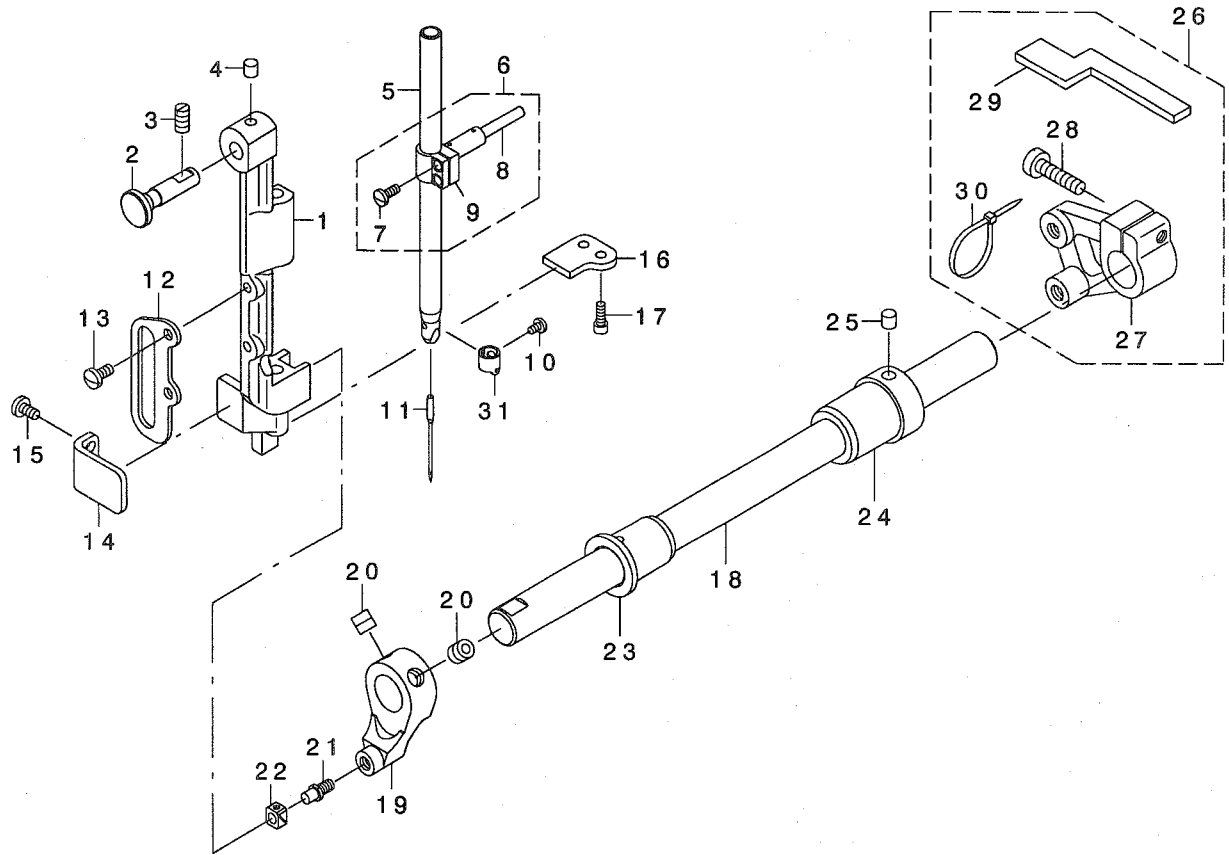
NOTE (注記)

#01....FOR LS-1342-7
#02....FOR LS-1342

LS-1342-7用
LS-1342用

3. NEEDLE BAR ROCKING COMPONENTS

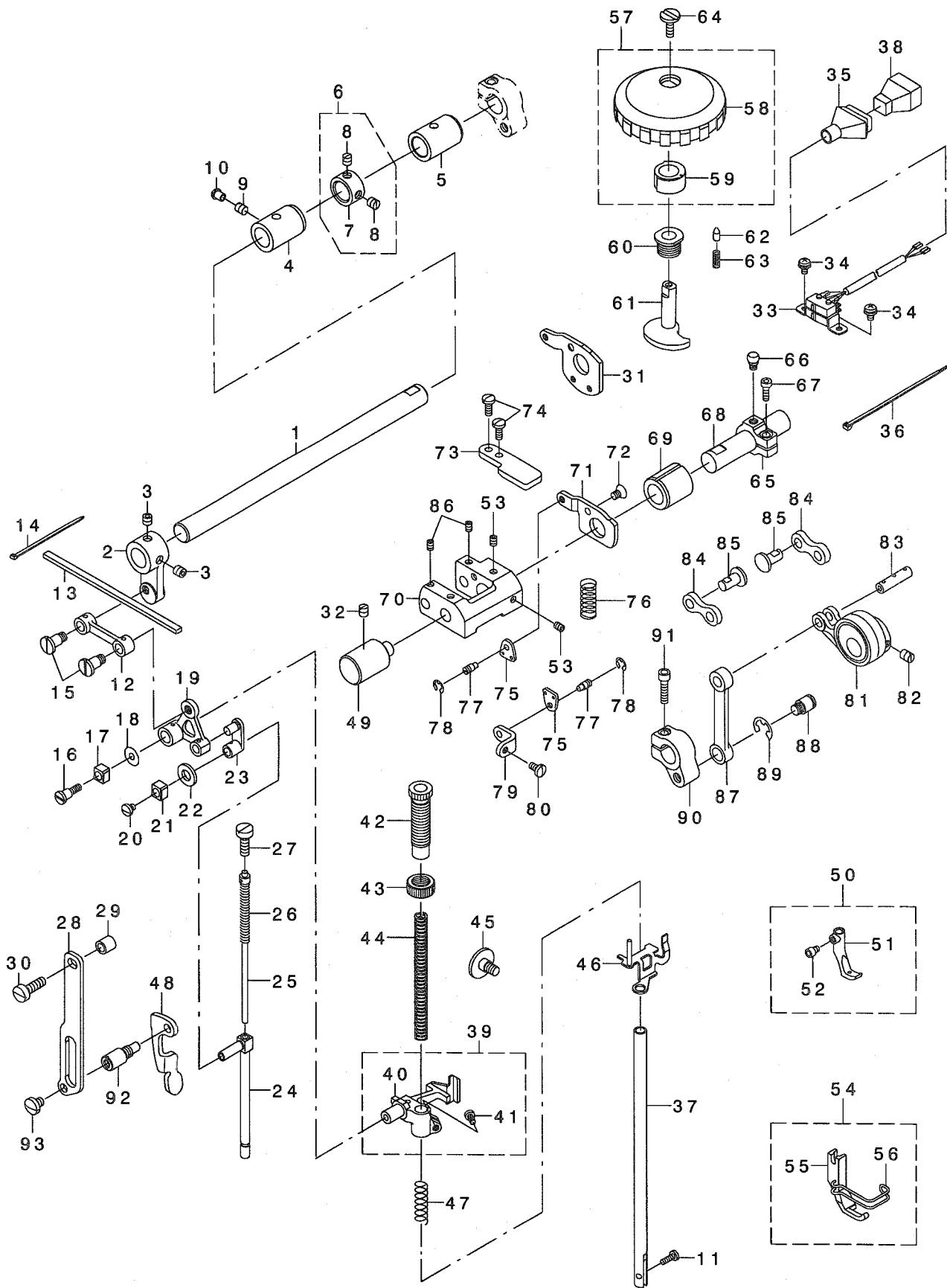
針棒揺動関係



| REF. NO | NOTE | PART NO. | DESCRIPTION | ヒソメイ | Qty |
|---------|------|---------------|---------------------------|------------------------|-----|
| 1 | | 230-02009 | NEEDLE BAR FRAME | ハリホ'ウヨウト'ウタ'イ | 1 |
| 2 | | 214-05204 | HINGE STUD | ハリホ'ウヨウト'ウタ'イ'ク | 1 |
| 3 | | SS-8151150-TP | SCREW 15/64-28 L=10.5 | トメネジ' 15/64-28 L=10.5 | 1 |
| 4 | | 228-14909 | FELT | ウツジ'クキウツフエルト | 1 |
| 5 | | B1401-246-000 | NEEDLE BAR | ハリホ'ウ | 1 |
| 6 | | B1411-057-0A0 | NEEDLE BAR CONNECTION | ハリホ'-タ'キ | 1 |
| 7 | | SS-7090910-SP | SCREW 9/64-40 L= 8.5 | マルヒラネジ' 9/64-40 L=8.5 | (1) |
| 8 | | B1412-051-000 | FELT | ハリホ'-タ'キ'フェルト | (1) |
| 9 | | B1411-057-000 | NEEDLE BAR CONNECTION | ハリホ'-タ'キ | (1) |
| 10 | | SS-7080510-TP | SCREW 1/8-44 L=4.5 | マルヒラネジ' 1/8-44 L=4.5 | 1 |
| 11 | | MC-3720016-00 | NEEDLE SY3355 160 | ハリ SY3355 160 | 1 |
| 12 | | 214-38007 | UPPER FEED BAR GUIDE | ウエオクハリホ'ウカ'イト | 1 |
| 13 | | SS-7110910-TP | SCREW 11/64-40 L= 8.5 | マルヒラネジ' 11/64-40 L=8.5 | 2 |
| 14 | | 213-38702 | ROCKING BASE GUIDE | ヨウト'ウタ'イアンナイ | 1 |
| 15 | | SS-7110830-SP | SCREW 11/64-40 L= 7.5 | マルヒラネジ' 11/64-40 L=7.5 | 2 |
| 16 | | 213-38603 | ROCKING BASE GUIDE (B) | ハリホ'ウヨウト'ウタ'イアンナイ(B) | 1 |
| 17 | | SS-6091022-TP | SCREW | ヒラネジ' | 2 |
| 18 | | 213-38900 | ROCKING SHAFT | ハリホ'ウヨウト'ウツ'ク | 1 |
| 19 | | 213-38801 | ROCKING FRONT ARM | ハリホ'ウヨウト'ウセ'ソフ'ウテ' | 1 |
| 20 | | SM-8080802-TP | SCREW | トメネジ' | 2 |
| 21 | | B1410-771-000 | STUD | ハリホ'-ヨ-ト'-カクコ'マツ'ク | 1 |
| 22 | | B1414-232-000 | SQUARE BLOCK | カクコ'マ | 1 |
| 23 | | 213-39304 | ROCKING SHAFT FRONT METAL | ハリホ'ウヨウト'ウツ'ク'マエメタル | 1 |
| 24 | | 213-39205 | ROCKING SHAFT REAR METAL | ハリホ'ウヨウト'ウツ'ク'アトメタル | 1 |
| 25 | | 228-14909 | FELT | ウツジ'クキウツフエルト | 1 |
| 26 | | 214-30053 | ROCKING REAR ARM ASM. | ハリホ'ウヨウト'ウコウフ'ウテ'(クミ) | 1 |
| 27 | | 214-30004 | ROCKING REAR ARM | ハリホ'ウヨウト'ウコウフ'ウテ' | (1) |
| 28 | | SS-6152440-SP | SCREW 15/64-28 L=23.5 | ヒラネジ' 15/64-28 L=23.5 | (1) |
| 29 | | 214-30103 | ROCKING REAR ARM FELT | ハリホ'ウヨウト'ウコウフ'ウテ'フェルト | (1) |
| 30 | | EA-9500B01-00 | CABLE BAND | ソクセン'バンド' | (2) |
| 31 | | B1418-552-A00 | NEEDLE THREAD GUIDE A | ハリホ'-イトカケ'A | 1 |

4. PRESSURE ADJUSTING & UPPER FEED MECHANISM COMPONENTS

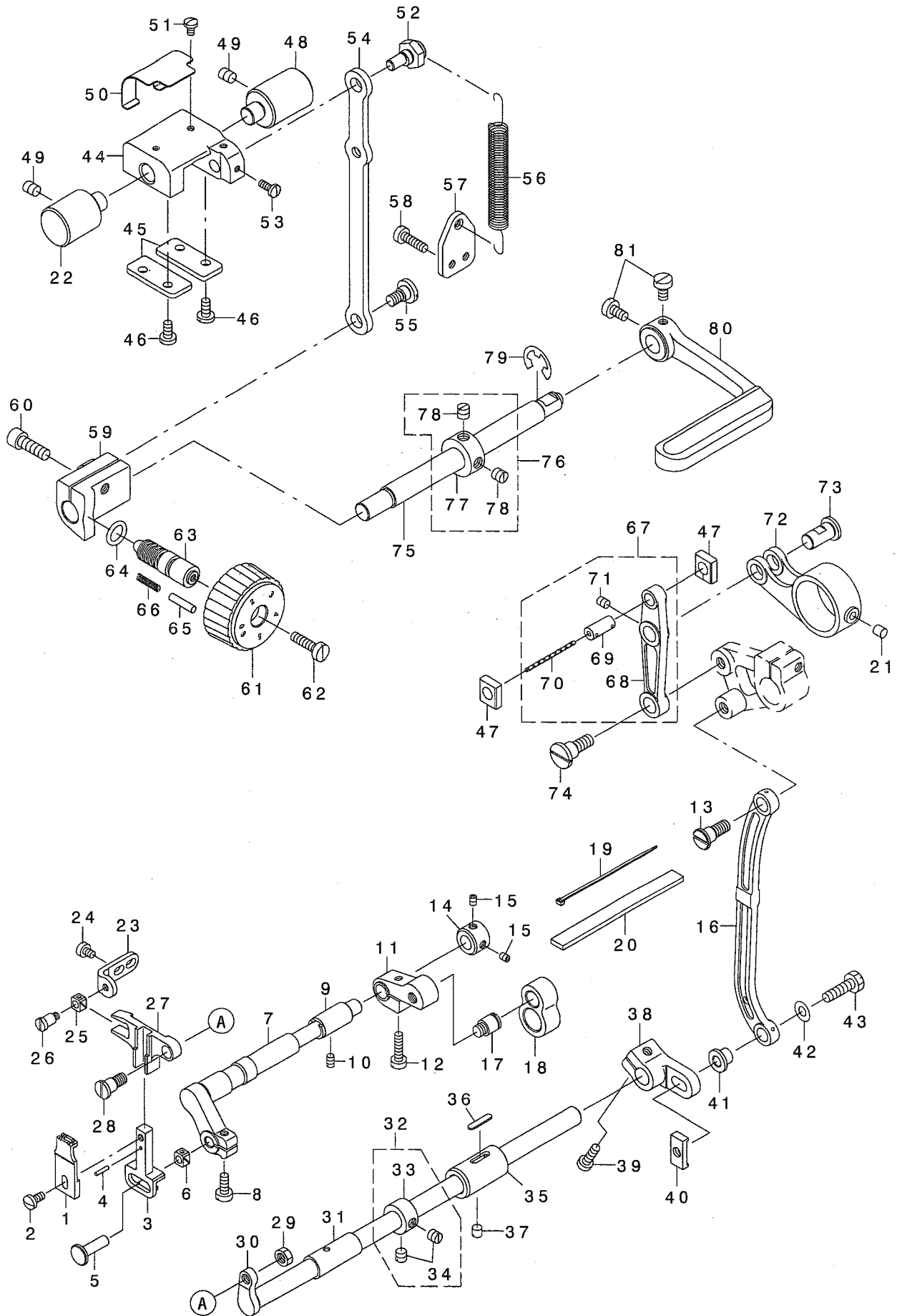
押え圧調節・上送り関係



| REF. NO | NOTE | PART NO. | DESCRIPTION | 品名 | Qty |
|---------|------|---------------|-------------------------------|--------------------------|-----|
| 1 | | 213-40401 | UPPER FEED SHAFT | ウツクリツク | 1 |
| 2 | | 213-40500 | UPPER FEED FRONT ARM | ウツクリツクウツ | 1 |
| 3 | | SS-8660612-TP | SCREW 1/4-40 L=6 | トメネツ 1/4-40 L=6 | 2 |
| 4 | | 213-41904 | FRONT METAL | ウツクリツククマエタル | 1 |
| 5 | | 213-78302 | FEED SHAFT METAL | スイハイウツクリツククマタル | 1 |
| 6 | | 229-04155 | MAIN SHAFT THRUST COLLAR ASM. | ウツクリツクスラストワケ(クミ) | 1 |
| 7 | | 229-04106 | MAIN SHAFT THRUST COLLAR | ウツクリツクスラストウケ | (1) |
| 8 | | SS-8660610-TP | SCREW 1/4-40 L=6 | トメネツ 1/4-40 L=6 | (2) |
| 9 | | SS-8150710-SP | SCREW 15/64-28 L=7 | トメネツ 15/64-28 L=7 | 1 |
| 10 | | TA-0550604-RO | RUBBER PLUG | トメピン | 1 |
| 11 | | SS-7091110-TP | SCREW 9/64-40 L=10.5 | マルヒラネツ 9/64-40 L=10.5 | 1 |
| 12 | | 213-39908 | UPPER FEED LINK | ウツクリツク | 1 |
| 13 | | 213-47109 | FELT | ウツクリツクフェルト | 1 |
| 14 | | EA-9500800-00 | CLIP CV-70S | ケツクハント 60 | 2 |
| 15 | | B3016-141-H00 | HINGE SCREW, B | L4タロウト タンネツ B | 2 |
| 16 | | SD-0640701-SP | HINGE SCREW D=6.35 H=7 | タンネツ D=6.35 H=7 | 1 |
| 17 | | B1414-555-000 | SLIDE BLOCK | ハリホ ウタキ アンナイコ | 1 |
| 18 | | WP-0501046-SC | WASHER 5 X 13 X 1 | ヒラネツ カネ 5X13X1 | 1 |
| 19 | | 213-40807 | TRIANGULAR LEVER | サカケテコ | 1 |
| 20 | | SS-7110510-SP | SCREW 11/64-40 L=5 | マルヒラネツ 11/64-40 L=5 | 1 |
| 21 | | B1414-555-000 | SLIDE BLOCK | ハリホ ウタキ アンナイコ | 1 |
| 22 | | 105-09701 | FELT | ウエロラクト ウロウトフェルト | 1 |
| 23 | | B1465-053-000 | WALKING BAR DRIVING LINK | ウツクリ ヨト リツク | 1 |
| 24 | | B1466-563-000 | WALKING BAR | ウツクリホウ | 1 |
| 25 | | B1467-053-0A0 | WALKING BAR ASM. | ウツクリハネツクホ - クミ | 1 |
| 26 | | B1468-053-000 | WALKING BAR SPRING | ウツクリホ - ホツクホネ | 1 |
| 27 | | SS-6151780-SP | SCREW 15/64-28 L=17.0 | ヒラネツ 15/64-28 L=17 | 1 |
| 28 | | 214-06509 | UPPER FEED GUIDE PLATE | ウツクリカイトイタ | 1 |
| 29 | | 135-14310 | ROLLER | イトキリホネ ヨコ | 1 |
| 30 | | SS-6151920-SP | SCREW 15/64-28 L=19.0 | ヒラネツ 15/64-28 L=19 | 1 |
| 31 | #01 | 214-38106 | STOPPER PLATE B | ストッパ イタ(B) | 1 |
| 32 | | SS-8150710-SP | SCREW 15/64-28 L=7 | トメネツ 15/64-28 L=7 | 1 |
| 33 | | 213-57561 | VERTICAL DETECTOR SWITCH ASM. | コウコウ ヲ ヲウケ ケツクヨクスイツチ(クミ) | 1 |
| 34 | | SL-4040881-SC | SCREW M4 L=8 | サカネツキ ナハ コネツ M4 L=8 | 2 |
| 35 | | GPX-53005000 | PLUG COVER 15P | アラカカハ 15P | 1 |
| 36 | | EA-9500801-00 | CABLE BAND | ツクセピン | 1 |
| 37 | | B1501-141-H00 | PRESSER BAR | オサエホ | 1 |
| 38 | #02 | GBC-02621000 | 15-POLE PLUG, WHITE | ナロン アラカ シロ 15キヨク | 1 |
| 39 | | 213-41052 | PRESSER BAR HOLDER ASM. | オサエホ ウタキ(クミ) | 1 |
| 40 | | 213-41003 | PRESSER BAR HOLDER | オサエホ ウタキ | (1) |
| 41 | | SS-7110910-TP | SCREW 11/64-40 L= 8.5 | マルヒラネツ 11/64-40 L=8.5 | (1) |
| 42 | | 213-40906 | PRESSER ADJUSTING SCREW | オサエツウセツネツ | 1 |
| 43 | | 110-71701 | NUT | オサエ チョウセツネツ ナット | 1 |
| 44 | | B1502-246-000 | PRESSER SPRING | オサエ チョウセツハネ | 1 |
| 45 | | SD-0800481-SP | HINGE SCREW D= 8 H= 4.9 | タンネツ D=8 H=4.9 | 1 |
| 46 | | 213-41151 | THREAD RELEASE HOLDING PLATE | イトユルメツクイタ(ケツクウ) | 1 |
| 47 | | B1462-053-000 | THREAD RELEASE SPRING | イトユルメ ヲウケハネ | 1 |
| 48 | | 214-06103 | PRESSER LIFTER LEVER | オサエアケレハ | 1 |
| 49 | | 213-37803 | FEED ADJUSTING BASE SUPPORT | オサエツウセツネツササエ | 1 |
| 50 | | 214-44559 | PRESSER INNER FOOT ASM. | オサエアケアツ(クミ) | 1 |
| 51 | | 214-44500 | PRESSER INNER FOOT | オサエアケアツ | (1) |
| 52 | | SM-6040552-TP | SCREW M4 L=4.5 | ロツカケアツホルト M4 L=4.5 | (1) |
| 53 | | SM-8050602-TP | SCREW M5 L=6 | トメネツ M5X0.8 L=6 | 2 |
| 54 | | 214-44658 | PRESSER FOOT ASM. | オサエアツ(クミ) | 1 |
| 55 | | 214-44609 | PRESSER FOOT | オサエアツ | (1) |
| 56 | | 214-44708 | FINGER GUARD | ヒレガート | (1) |
| 57 | | 107-74354 | UPPER AND LOWER DIAL ASM. | コウコウ ヲ ヲウケ タ イヤル(クミ) | 1 |
| 58 | | 107-74305 | VERTICAL DIAL | コウコウ ヲ ヲウケ タ イヤル | (1) |
| 59 | | 107-74404 | VERTICAL CAM | コウコウ ヲ ヲウケ カム | (1) |
| 60 | | 107-15100 | VERTICAL DIAL SHAFT BUSHING | コウコウ ヲ ヲウケ タ イヤルツクア ヲウセツ | 1 |
| 61 | | 107-15001 | VERTICAL ADJUSTING CAM | コウコウ ヲ ヲウケ チョウセツカム | 1 |
| 62 | | 107-15704 | VERTICAL DIAL PIN | コウコウ ヲ ヲウケ タ イヤルピン | 1 |
| 63 | | B1526-527-00G | SPRING | オサエアツハネ | 1 |
| 64 | | SS-6110630-TP | SCREW 11/64-40 L=6 | ヒラネツ 11/64-40 L=6 | 1 |
| 65 | | 213-41607 | VERTICAL ADJUSTING ARM | コウコウ ヲ ヲウケ チョウセツウケ | 1 |
| 66 | | 107-15308 | PIN | ハンカツクイタツピン | 1 |
| 67 | | SM-6051402-TP | SCREW M5X0.8 L=14 | ロツカケアツホルト | 1 |
| 68 | | 213-41508 | VERTICAL CHANGE BASE SHAFT | コウコウ ヲ ヲウケ ハンカツクイタツク | 1 |
| 69 | | 107-18203 | FEED SHAFT FRONT METAL | スイハイウツクリツククマタル | 1 |
| 70 | | 107-14202 | VERTICAL CHANGE BELT | コウコウ ヲ ヲウケ ハンカツクイ | 1 |
| 71 | #02 | 213-39601 | UPPER FEED STOPPER PLATE (A) | ウツクリツクストッパ イタ(A) | 1 |
| 72 | | SM-1050801-SR | SCREW M5 L=8 | サラネツ M5X0.8 L=8 | 1 |
| 73 | | 214-38205 | UPPER FEED STOPPER PLATE | ウツクリツクストッパ イタ | 1 |
| 74 | | SS-7111120-TP | SCREW | マルヒラネツ | 2 |
| 75 | | 107-13501 | SPRING HOOK | コウコウ ヲ ヲウケ ツクハネカケ | 2 |
| 76 | | 107-16504 | VERTICAL SHAFT SPRING | コウコウ ヲ ヲウケ ツクハネ | 1 |
| 77 | | B3416-552-000 | CONNECTING ROD HINGE SCREW | ヒサアケ ヨコホ タンネツ | 2 |
| 78 | | RE-0500000-KO | E-RING | エガ タトメツ 5 | 2 |
| 79 | | 213-39809 | UPPER FEED DOG SPRING HOOK | ウツクリツクハネカケ | 1 |
| 80 | | SS-7110830-SP | SCREW 11/64-40 L= 7.5 | マルヒラネツ 11/64-40 L=7.5 | 1 |
| 81 | | 107-13766 | ECCENTRIC ROD (SET) | ウツクリツクハロツド(セツ) | 1 |
| 82 | | SS-8660810-TP | SCREW 1/4-40 L=8 | トメネツ 1/4-40 L=8 | 2 |
| 83 | | 107-13808 | CONNECTION LINK PIN B | レンケツリンクピンB | 1 |
| 84 | | 107-14509 | CONNECTION LINK B | レンケツリンクB | 2 |
| 85 | | 107-14608 | CONNECTION LINK B SUPPORT PIN | レンケツリンクBツクピン | 2 |
| 86 | | SM-8050602-TP | SCREW M5 L=6 | トメネツ M5X0.8 L=6 | 2 |
| 87 | | 213-40005 | UPPER FEED LINK (B) | ウツクリツク(B) | 1 |
| 88 | | 210-48707 | HINGE SCREW | セツクメカネ タンネツ | 1 |
| 89 | | RE-0800000-KO | E-SHAPED SNAP RING (8MM) | エガ タトメツ 8 | 1 |
| 90 | | 213-40302 | UPPER FEED REAR ARM (B) | ウツクリツクアウケ (B) | 1 |
| 91 | | SM-6052002-TP | SCREW M5 L=20 | ロツカケアツホルト M5X0.8 L=20 | 1 |
| 92 | | 214-06608 | GUIDE PLATE SPACER | カイトイタスベ | 1 |
| 93 | | SS-7150740-SP | SCREW 15/64-28 L=7 | マルヒラネツ 15/64-28 L=7 | 1 |
| | | NOTE (注記) | #01...FOR LS-1342-7 | LS-1342-7用 | |
| | | | #02...FOR LS-1342 | LS-1342用 | |

5. FEED MECHANISM COMPONENTS

送り関係



| REF. NO | NOTE | PART NO. | DESCRIPTION | ヒ ャ ッ ク | Qty |
|---------|------|---------------|---------------------------------|-----------------------|--------|
| 1 | | 214-35102 | FEED DOG | ネクリハ (2.5*5)(コモ/ヨウ) | 1 |
| 2 | | SS-7110840-SP | SCREW 11/64-40 L=7.8 | マルヒラネジ 11/64-40 L=7.8 | 1 |
| 3 | | 214-28008 | FEED BASE | ネクリハ | 1 |
| 4 | | PS-0200102-KH | SPRING PIN 2.0 X 10 | スプリングピン 2.0X10 | 1 |
| 5 | | 214-28107 | FEED BASEPIN | ネクリハ | 1 |
| 6 | | B1414-232-000 | SQUARE BLOCK | カクゴマ | 1 |
| 7 | | 214-29006 | VERTICAL FEED SHAFT | シヨウケネクリハ | 1 |
| 8 | | SS-6121220-TP | SCREW 3/16-28 L=11.5 | ヒラネジ 3/16-28 L=11.5 | 1 |
| 9 | | 214-29501 | VERTICAL FEED SHAFT METAL | シヨウケネクリハ | 1 |
| 10 | | SS-8110710-SP | SCREW 11/64-40 L=6.5 | トメネジ 11/64-40 L=6.5 | 1 |
| 11 | | 214-29105 | VERTICAL FEED ARM | シヨウケネクリハ | 1 |
| 12 | | SS-6121850-TP | SCREW 3/16-28 L=18 | ヒラネジ 3/16-28 L=18 | 1 |
| 13 | | SD-0900701-TP | HINGE SCREW D=9 H=7 | タシネジ D=9 H=7 | 1 |
| 14 | | 214-29709 | VERTICAL FEED THRUST COLLAR | シヨウケネクリハ | 1 |
| 15 | | SM-8040502-TP | SCREW M4X0.7 L=5 | トメネジ M4X0.7 L=5 | 2 |
| 16 | | 102-05201 | NEEDLE BAR FRAME ROD | ハリネジ - ヨート - フエルト | 1 |
| 17 | | 210-48707 | HINGE SCREW | ヒラネジ | 1 |
| 18 | | 214-29204 | VERTICAL FEED ROD | シヨウケネクリハ | 1 |
| 19 | | EA-9500B02-00 | CABLE BAND 150 | ケツツクハント 150 | 1 |
| 20 | | 214-29600 | VERTICAL FEED ROD FELT | シヨウケネクリハ | 1 |
| 21 | | 228-14909 | FELT | ウラシマ | 1 |
| 22 | | 214-30400 | FEED ADJUSTER SUPPORT | ネクリハ | 1 |
| 23 | | 214-27901 | HORIZONTAL FEED BASE SUPPORT | ネクリハ | 1 |
| 24 | | SS-6110610-TP | SCREW 11/64-40 L=6 | ヒラネジ 11/64-40 L=6 | 2 |
| 25 | | B1414-232-000 | SQUARE BLOCK | カクゴマ | 1 |
| 26 | | SD-0640752-TP | HINGE SCREW D=6.35 H=7.5 | タシネジ D=6.35 H=7.5 | 1 |
| 27 | | 214-27802 | HORIZONTAL FEED BASE | スライネクリハ | 1 |
| 28 | | SD-0790701-SP | HINGE SCREW D=7.94 H=7 | タシネジ | 1 |
| 29 | | NS-6660430-SP | NUT 1/4-40 | ロツカクナツ 1/4-40 | 1 |
| 30 | | 214-27604 | HORIZONTAL FEED SHAFT | スライネクリハ | 1 |
| 31 | | B1607-246-000 | BUSHING, FRONT | スライネクリハ | 1 |
| 32 | | CS-111101C-SH | THRUST COLLAR ASM. D=11.11 W=10 | スラストウケ D=11.11 W=10 | 1 |
| 33 | | CS-1111019-SH | THRUST COLLAR D=11.11 W=10 | スラストウケ D=11.11 W=10 | (1) |
| 34 | | SS-8660610-TP | SCREW 1/4-40 L=6 | トメネジ 1/4-40 L=6 | (2) |
| 35 | | 214-27703 | HORIZONTAL FEED SHAFT D | スライネクリハ | 1 |
| 36 | | B1806-038-000 | OIL FELT | シヨウケ | 1 |
| 37 | | SS-8150510-TP | SCREW 15/64-28 L=4.7 | トメネジ 15/64-28 L=4.7 | 1 |
| 38 | | 214-28305 | HORIZONTAL FEED ARM | スライネクリハ | 1 |
| 39 | | SS-6121610-SP | SCREW 3/16-28 L=15.5 | ヒラネジ 3/16-28 L=15.5 | 1 |
| 40 | | 214-28503 | HORIZONTAL FEED ARM STOPPER | スライネクリハ | 1 |
| 41 | | 214-28404 | HORIZONTAL FEED ARM ROD | スライネクリハ | 1 |
| 42 | | WP-0621016-SH | WASHER | ヒラネジ | 1 |
| 43 | | SS-9152130-CP | SCREW 15/64-28 L=20.5 | ロツカクナツ 15/64-28 | 1 |
| 44 | | 213-37506 | FEED ADJUSTING BASE | ネクリハ | 1 |
| 45 | | 213-37506 | FEED ADJUSTING BASE | ネクリハ | 2 |
| 46 | | SS-7110910-TP | SCREW 11/64-40 L=8.5 | マルヒラネジ 11/64-40 L=8.5 | 4 |
| 47 | | 213-37407 | SQUARE BLOCK | ネクリハ | 2 |
| 48 | | 213-37803 | FEED ADJUSTING BASE SUPPORT | ネクリハ | 1 |
| 49 | | SS-8150822-TP | SCREW 15/64-28 L=8 | トメネジ 15/64-28 L=8 | 2 |
| 50 | | 213-38306 | FELT SUPPORT | フエルト | 1 |
| 51 | | SS-7090610-SP | SCREW 9/64-40 L=6 | マルヒラネジ 9/64-40 L=6 | 2 |
| 52 | | 213-37902 | ECCENTRIC PIN | ネクリハ | 1 |
| 53 | | SS-7090910-TP | SCREW 9/64-40 L=8.5 | マルヒラネジ 9/64-40 L=8.5 | 2 |
| 54 | | 213-37308 | FEED ADJUSTING ROD | ネクリハ | 1 |
| 55 | | SD-0800402-TP | HINGE SCREW D=8 H=4 | タシネジ D=8 H=4 | 1 |
| 56 | | 213-37605 | SPRING | ネクリハ | 1 |
| 57 | | 213-38009 | SPRING HOOK | ヒラネジ | 1 |
| 58 | | SS-6111610-SP | SCREW 11/64-40 L=16 | ヒラネジ 11/64-40 L=16 | 2 |
| 59 | | 214-30202 | FEED ADJUSTING | ネクリハ | 1 |
| 60 | | SM-6061802-TP | SCREW M6 L=18 | ロツカクナツ | 1 |
| 61 | | 214-30301 | FEED ADJUSTING DIAL | ネクリハ | 1 |
| 62 | | SS-6121860-SP | SCREW 3/16-28 L=18 | ヒラネジ 3/16-28 L=18 | 1 |
| 63 | | 110-09909 | FEED REGULATOR SCREW | ネクリハ | 1 |
| 64 | | RO-0922702-00 | RUBBER RING | 0リング | 1 |
| 65 | | 110-32701 | SCREW 3/16-28 L=9 | ヒラネジ 3/16-28 L=9 | 1 |
| 66 | | 229-12109 | FEED REGULATOR PIN SPRING | ネクリハ | 1 |
| 67 | | 213-36656 | FEED LINK ASM. | スライネクリハ | 1 |
| 68 | | 213-36607 | FEED LINK | スライネクリハ | 1 |
| 69 | | B1418-761-000 | CONNECTING FORKED LINK PIN | ネクリハ | (1) |
| 70 | | CQ-2020000-00 | OIL WICK | フタマタ ヨート - リンク ヒン | (1) |
| 71 | | SM-8050612-TP | SCREW M5X6 | ユツ | (0.04) |
| 72 | | 213-36706 | FEED ROD A | トメネジ M5X0.8 L=6 | (1) |
| 73 | | 213-38207 | FEED LINK PIN | スライネクリハ | 1 |
| 74 | | SD-1000801-SH | HINGE SCREW D=10 H=8 | スライネクリハ | 1 |
| 75 | | 213-36300 | BACKWARD FEED LEVER SHAFT | タシネジ D=10 H=8 | 1 |
| 76 | | CS-1201010-SH | THRUST COLLAR ASM. D=12 W=10 | キヤクネクリハ | 1 |
| 77 | | CS-1201011-SH | THRUST COLLAR D=12 W=10 | スラストウケ D=12 W=10 | 1 |
| 78 | | SS-8660610-TP | SCREW 1/4-40 L=6 | スラストウケ D=12 W=10 | (1) |
| 79 | | RE-0900000-KO | E-RING 9 | トメネジ 1/4-40 L=6 | (2) |
| 80 | | 226-10505 | REVERSE FEED CONTROL LEVER | Eカ | 1 |
| 81 | #01 | SS-6120930-TP | SCREW 3/16-28 L=9 | キヤクネクリハ | 1 |
| | | | | ヒラネジ 3/16-28 L=9 | 2 |

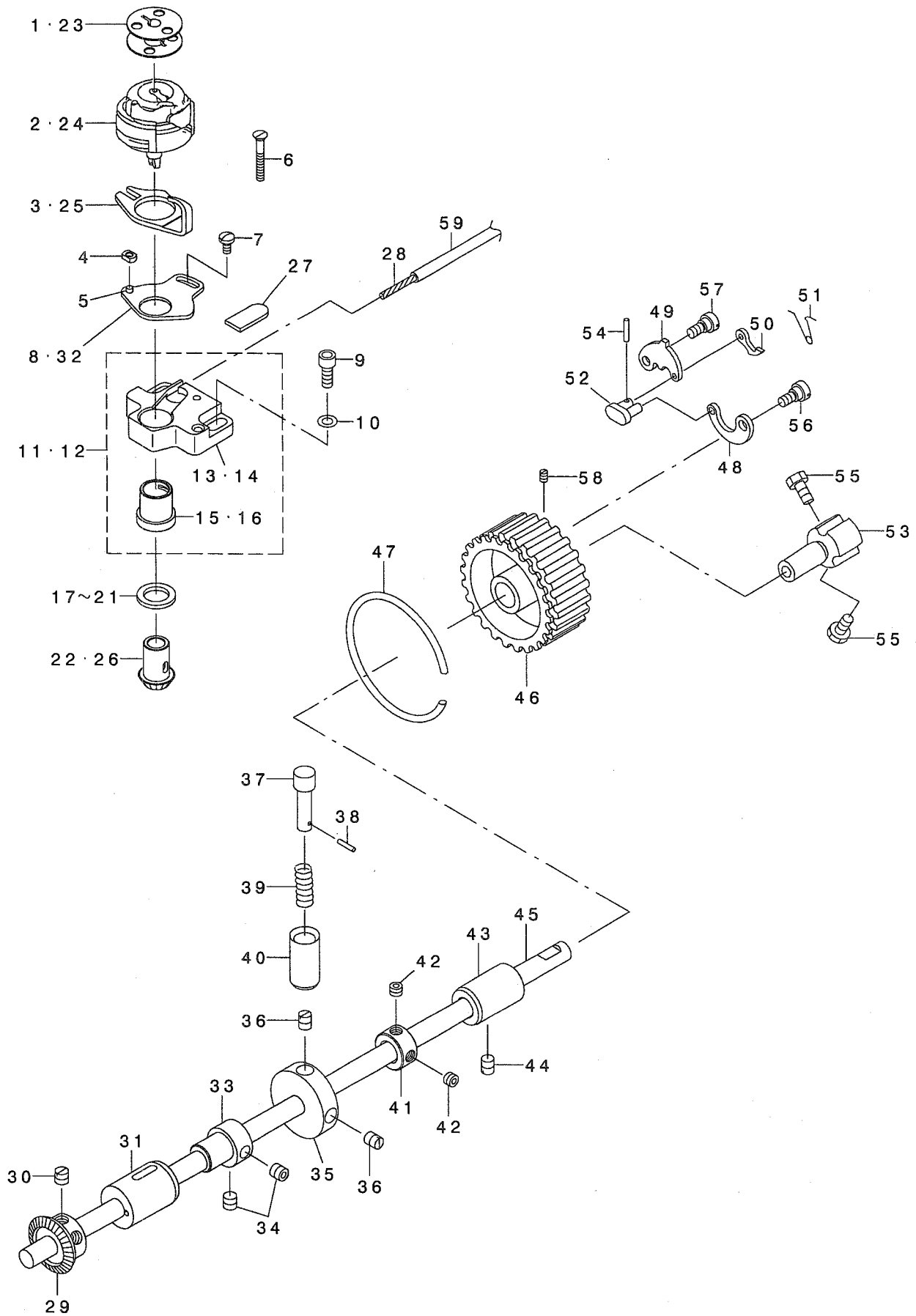
NOTE (注記)

#01...FOR LS-1342

LS-1342用

6. HOOK SHAFT & LOWER SHAFT COMPONENTS

釜軸・下軸関係



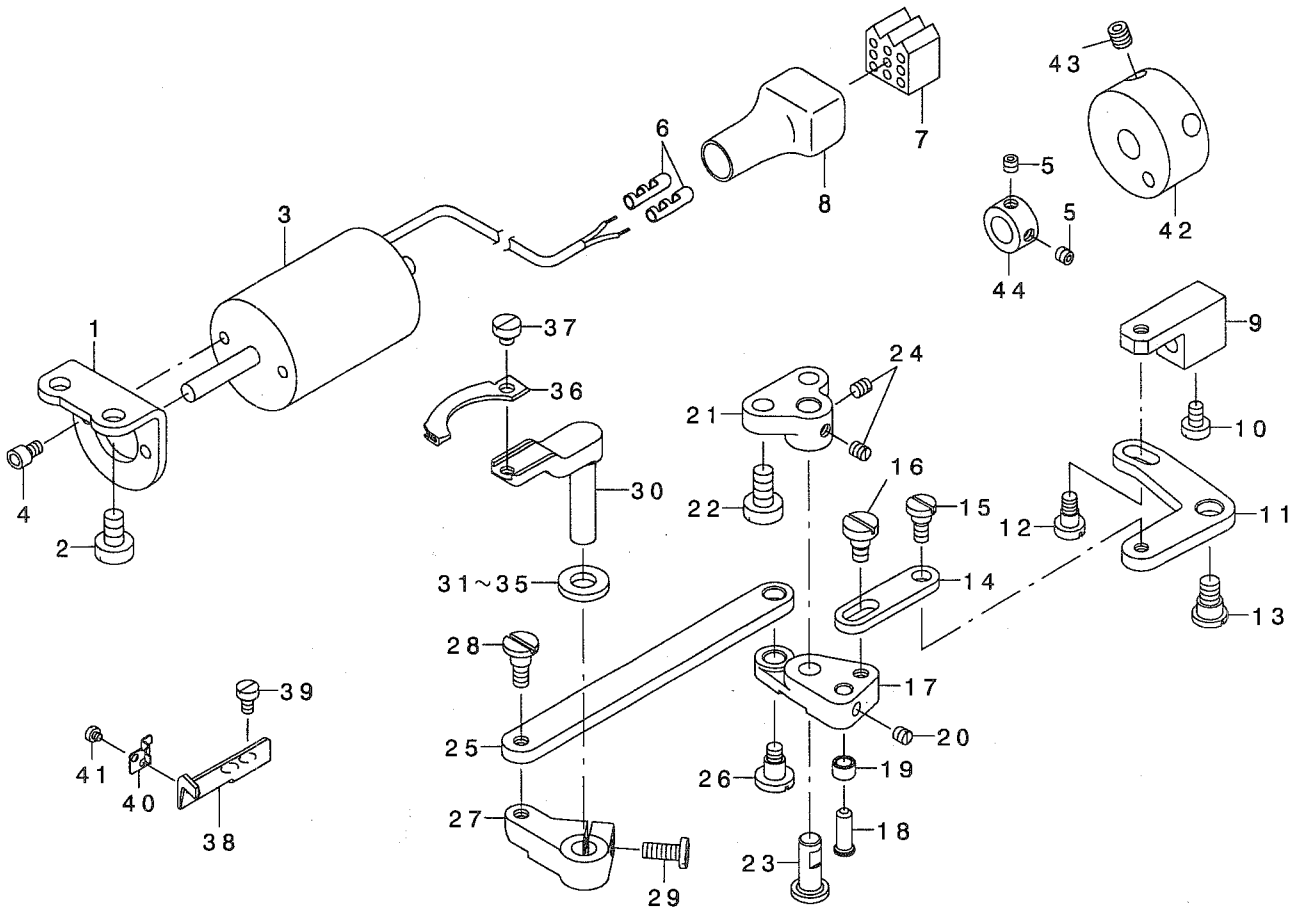
| REF. NO | NOTE | PART NO. | DESCRIPTION | ヒョウメイ | Qty |
|---------|------|-----------------|--------------------------------|-----------------------|------|
| 1 | #03 | B9117-201-000 | BOBBIN | ホビソ | 1 |
| 2 | #03 | 214-31457 | LATCH HOOK ASM. | ラツカマ(クミ) | 1 |
| 3 | #03 | 212-27400 | INNER HOOK GUIDE | ナカカマソナイ | 1 |
| 4 | | B1827-246-000 | SLIDE BLOCK | ナカカマソナイコソ | 1 |
| 5 | | B1826-246-000 | SLIDE BLOCK PIN | ナカカマソナイコロシク | 1 |
| 6 | | SS-1092810-SP | SCREW 9/64-40 L=25.4 | サラネシ | 1 |
| 7 | | SS-7090710-SP | SCREW 9/64-40 L= 6.8 | マルヒラネシ 9/64-40 L=6.8 | 1 |
| 8 | #03 | 212-31204 | ADJUSTING PLATE | ナカカマソナイチヨウセツイタ | 1 |
| 9 | | SM-6051202-TP | SCREW M5X0.8 L=12 | ロツカクアナホルト M5X0.8 L=12 | 2 |
| 10 | | WP-0520656-SA | WASHER 5.2X9.5X0.6 | ヒラサカネ 5.2X9.5X0.6 | 2 |
| 11 | #03 | 214-30855 | HOOK SHAFT BASE ASM. | カマソクダイ(クミ) | 1 |
| 12 | #02 | 214-37553 | HOOK SHAFT BASE ASM. | カマソクダイ(イトキリヨウ)(クミ) | 1 |
| 13 | #03 | 214-30806 | HOOK SHAFT BASE | カマソクダイ | (1) |
| 14 | #02 | 214-37504 | HOOK SHAFT BASE | カマソクダイ(イトキリヨウ) | (1) |
| 15 | #03 | 214-31002 | HOOK SHAFT METAL | カマソクメタル | (1) |
| 16 | #02 | 214-37603 | HOOK SHAFT METAL | カマソクメタル(イトキリヨウ) | (1) |
| 17 | #01 | B1820-246-000 | WASHER | カマソクサカネ | 1 |
| 18 | #01 | B1820-246-00A | WASHER A | カマソクサカネ A | 1 |
| 19 | | B1820-246-00B | WASHER B | カマソクサカネ B | 1 |
| 20 | #01 | B1820-246-00C | WASHER C | カマソクサカネ C | 1 |
| 21 | #01 | B1820-246-00D | WASHER | カマソクサカネ | 1 |
| 22 | #03 | 212-27301 | HOOK SHAFT GEAR | カマソクカサハクルマ | 1 |
| 23 | #02 | 107-59603 | ALUMINUM BOBBIN (DOUBLE-CUT) | アルミホビソ(ロレットツキ) | 1 |
| 24 | #02 | 214-41753 | THREAD TRIMMER LATCH HOOK ASM. | イトキリヨウラツカマ(クミ) | 1 |
| 25 | #02 | 231-02601 | INNER HOOK GUIDE | ナカカマソナイ | 1 |
| 26 | #02 | 231-02205 | HOOK SHAFT BEVEL GEAR | カマソクカサハクルマ | 1 |
| 27 | | 214-31200 | HOOK SHAFT LUBRICATION FELT | カマソクキユウコフエルト | 1 |
| 28 | | CQ-2020000-00 | OIL WICK | ユソソ | 0.15 |
| 29 | | B1836-246-000-A | LOWER SHAFT BEVEL GEAR | シタソクカサハクルマ | 1 |
| 30 | | SS-8660610-TP | SCREW 1/4-40 L=6 | トメネシ 1/4-40 L=6 | 3 |
| 31 | | B1803-246-000 | BUSHING, INTERMEDIATE | シタソクナカメタル | 1 |
| 32 | #02 | 214-37702 | ADJUSTING PLATE | ナカカマソナイチヨウセツイタ | 1 |
| 33 | | 214-29303 | VERTICAL FEED CAM (1.0) | ソヨウケオクリカム(1.0) | 1 |
| 34 | | SS-8660612-TP | SCREW 1/4-40 L=6 | トメネシ 1/4-40 L=6 | 2 |
| 35 | | B1301-340-000 | SAFETY CLUTCH DISK | アンセソソウチエンハン | 1 |
| 36 | | SS-8150710-SP | SCREW 15/64-28 L=7 | トメネシ 15/64-28 L=7 | 2 |
| 37 | | 212-23409 | SAFETY CLUTCH PUSH BUTTON | アンセソソウチオソホタン | 1 |
| 38 | | PS-0200102-KH | SPRING PIN 2.0 X 10 | スプリングピン 2.0X10 | 1 |
| 39 | | B1639-051-000 | SPRING | オソホタンハネ | 1 |
| 40 | | 212-23508 | PUSH BUTTON CYLINDER | アンセソソウチオソホタンツツ | 1 |
| 41 | | 231-02700 | LOWER SHAFT THRUST HOLDER | シタソククサスソウケ | 1 |
| 42 | | SS-8150432-TH | SCREW 15/64-28 L=4 | トメネシ 15/64-28 L=4 | 2 |
| 43 | | 214-27307 | LOWER SHAFT METAL, REAR | シタソククアメタル | 1 |
| 44 | | SS-8150710-TP | SCREW 15/64-28 L=7 | トメネシ 15/64-28 L=7 | 1 |
| 45 | | 214-27208 | LOWER SHAFT | シタソク | 1 |
| 46 | | 213-33505 | LOWER SPROCKET | シタソプロケツト | 1 |
| 47 | | B1214-019-000 | SPROCKET RING | スプリングプロケツト | 1 |
| 48 | | B1305-055-000-A | SAFETY CLUTCH SPRING | アンセソソチハネ | 1 |
| 49 | | B1307-055-000 | SAFETY CLUTCH HOOK | アンセソソチツメ | 1 |
| 50 | | B1308-055-000 | SAFETY CLUTCH COUNTER-HOOK | アンセソソチキヤクツメ | 1 |
| 51 | | B1309-055-000 | COUNTER-HOOK SPRING | アンセソソチキヤクツメハネ | 1 |
| 52 | | B1310-055-000 | SAFETY CLUTCH SMALL LINK | アンセソソチソヨリンク | 1 |
| 53 | | 105-03605 | SAFETY BASE | アンセソソウケ | 1 |
| 54 | | B1314-055-000 | SAFETY CLUTCH SMALL LINK PIN | アンセソソチソヨリンクピン | 1 |
| 55 | | SS-6661110-SP | SCREW 1/4-40 L=11 | ヒラネシ 1/4-40 L=11 | 2 |
| 56 | | SD-0640322-TP | HINGE SCREW D= 6.35 H= 3.2 | ダソネシ D=6.35 H=3.2 | 1 |
| 57 | | SD-0640322-TP | HINGE SCREW D= 6.35 H= 3.2 | ダソネシ D=6.35 H=3.2 | 1 |
| 58 | | SS-8090540-SP | SCREW 9/64-40 L=5 | トメネシ 9/64-40 L=5 | 1 |
| 59 | | BT-0500300-EA | OIL TUBE | ウレタンチューブ | 0.05 |

NOTE (注記) #01... SELECTIVE PARTS
#02... FOR LS-1342-7
#03... FOR LS-1342

選択部品
LS-1342-7用
LS-1342用

7. THREAD TRIMMER COMPONENTS (FOR LS-1342-7)

糸切り関係 (LS-1342-7用)

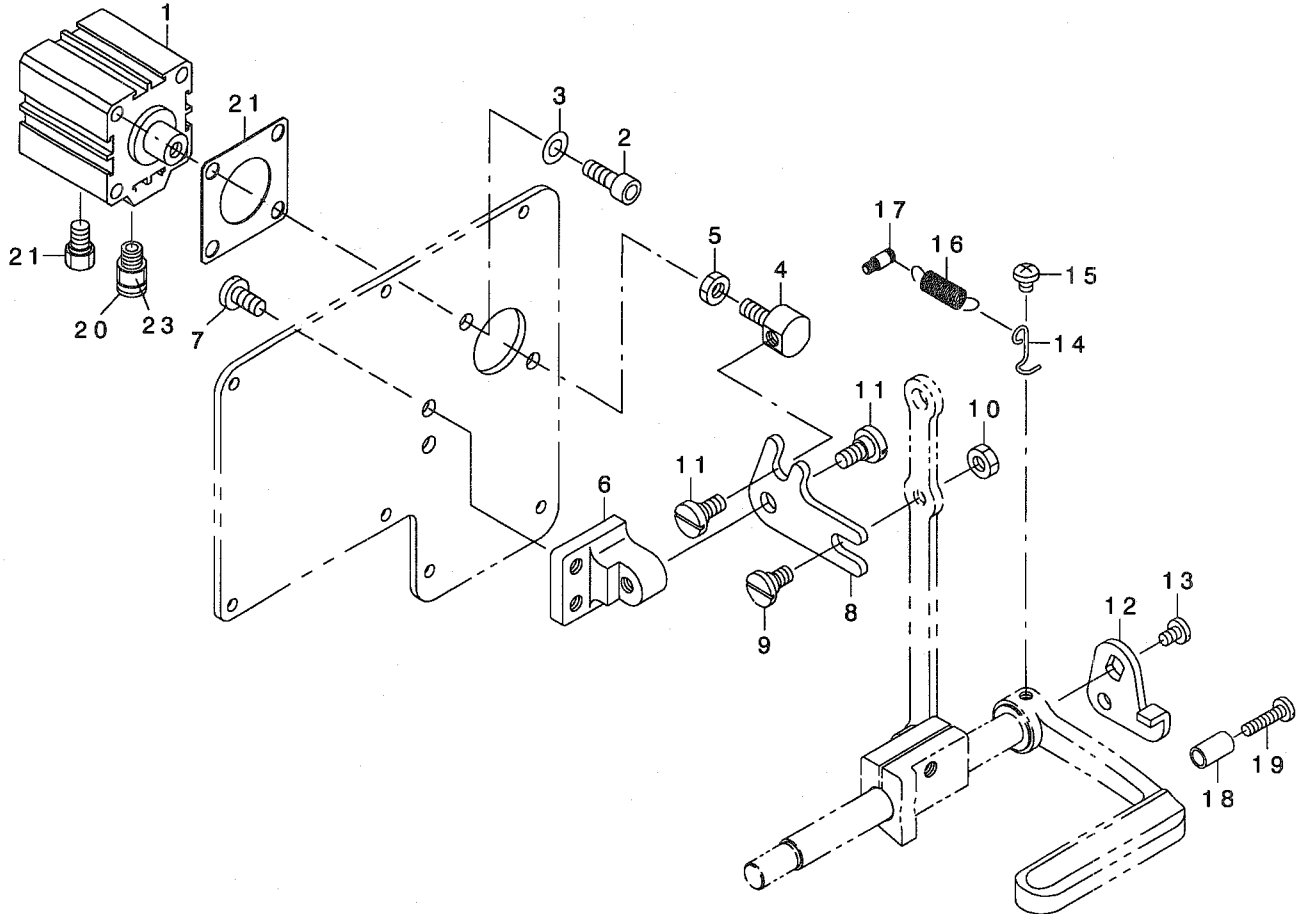


| REF. NO | NOTE | PART NO. | DESCRIPTION | とよめい | Qty |
|---------|------|-----------------|------------------------------|-----------------------|-----|
| 1 | | 214-39005 | SOLENOID FITTING PLATE | トキリソレノイド トリツケイタ | 1 |
| 2 | | SS-6151040-SP | SCREW 15/64-28 L=10 | ヒラネジ 15/64-28 L=10 | 2 |
| 3 | | 231-04201 | THREAD CUTTING SOLENOID | トキリソレノイド | 1 |
| 4 | | SM-6040602-TP | SCREW M4 L=6 | ロツカクアナボ ねト M4X0.7 L=6 | 2 |
| 5 | | SS-8110422-TP | SCREW 11/64-40 L=4 | トメネジ 11/64-40 L=4 | 2 |
| 6 | | D6043-555-B00 | PIN TERMINAL, MALE | ピン タ-ミナル オス | 2 |
| 7 | | D6028-555-B0A | 9-POLE PLUG, WHITE | 9P ナイロン プラグ シロ | 1 |
| 8 | | M9638-110-000 | 12-POLE RECEPTACLE COVER | リセプ タクルカハ 12P | 1 |
| 9 | | 214-39104 | THREAD TRIMMER SOLENOID ARM | トキリソレノイド ウデ | 1 |
| 10 | | SS-6110710-TP | SCREW 11/64-40 L= 6.5 | ヒラネジ 11/64-40 L=6.5 | 2 |
| 11 | | 214-39203 | THREAD TRIMMER SOLENOID LINK | トキリソレノイド リンク | 1 |
| 12 | | SD-0600452-TP | HINGE SCREW D=6 H=4.5 | ダ'ンネジ D=6 H=4.5 | 1 |
| 13 | | SD-0790451-SP | HINGE SCREW D= 7.94 H= 4.5 | ダ'ンネジ D=7.94 H=4.5 | 1 |
| 14 | | 214-39302 | SOLENOID CONNECTING LINK | トキリソレノイド レンクツリンク | 1 |
| 15 | | SD-0600352-SP | HINGE SCREW | ダ'ンネジ | 1 |
| 16 | | SD-0600321-SP | HINGE SCREW D=6 H=3.2 | ダ'ンネジ D=6 H=3.2 | 1 |
| 17 | | 214-39401 | FOLLOWER ARM | ジ'ユウト ウツダ | 1 |
| 18 | | 214-39500 | CAM ROLLER SHAFT | カムコロツク | 1 |
| 19 | | 214-40508 | THREAD TRIMMER CAM ROLLER | トキリカマコロ | 1 |
| 20 | | SS-8110410-TP | SCREW 11/64-40 L= 3.5 | トメネジ 11/64-40 L=3.5 | 1 |
| 21 | | 214-39609 | FOLLOWER BASE | ジ'ユウト ウツダ イ | 1 |
| 22 | | SS-6151210-SP | SCREW 15/64-28 L=12 | ヒラネジ 15/64-28 L=12 | 2 |
| 23 | | 214-39708 | FOLLOWER SHAFT | ジ'ユウト ウツダ | 1 |
| 24 | | SS-8110520-TP | SCREW 11/64-40 L= 4.5 | トメネジ 11/64-40 L=4.5 | 2 |
| 25 | | 214-39807 | THREAD TRIMMER LINK | トキリリンク | 1 |
| 26 | | SD-0640631-TP | HINGE SCREW D=6.35 H=6.3 | ダ'ンネジ D=6.35 H=6.3 | 1 |
| 27 | | 214-39906 | MOVING KNIFE ARM | ド'ウメスウデ | 1 |
| 28 | | SD-0640451-TP | HINGE SCREW D=6.35 H=4.5 | ダ'ンネジ D=6.35 H=4.5 | 1 |
| 29 | | SS-6121210-SP | SCREW 3/16-28 L=12 | ヒラネジ 3/16-28 L=12 | 1 |
| 30 | | 214-40003 | MOVING KNIFE BASE | ド'ウメスダ イ | 1 |
| 31 | #01 | B1853-512-00A-A | HOOK SHAFT WASHER, A | カマツ'クツ'ガネ A | 1 |
| 32 | #01 | B1853-512-00B-A | HOOK SHAFT WASHER, B | カマツ'クツ'ガネ B | 1 |
| 33 | | B1853-512-00C-A | HOOK SHAFT WASHER, C | カマツ'クツ'ガネ C | 1 |
| 34 | #01 | B1853-512-00D | HOOK SHAFT WASHER | カマツ'クツ'ガネ | 1 |
| 35 | #01 | B1853-512-00E | HOOK SHAFT WASHER | カマツ'クツ'ガネ | 1 |
| 36 | | 214-40607 | MOVING KNIFE | ド'ウメス | 1 |
| 37 | | SS-6110480-SP | SCREW 11/64-40 L=4.3 | ヒラネジ 11/64-40 L=4.3 | 1 |
| 38 | | 214-40102 | FIXING KNIFE | コテイメス | 1 |
| 39 | | SS-6090620-TP | SCREW | ヒラネジ | 2 |
| 40 | | 214-40201 | CLAMP PLATE | クランプ イタ | 1 |
| 41 | | SS-6060220-SP | SCREW 3/32-56 L= 2.0 | ヒラネジ 3/32-56 L=2 | 2 |
| 42 | | 214-40300 | THREAD TRIMMER CAM | トキリカマ | 1 |
| 43 | | SS-8660612-TP | SCREW 1/4-40 L=6 | トメネジ 1/4-40 L=6 | 2 |
| 44 | | CS-0950816-SH | THRUST COLLAR D=9.5 W=8 | スラストウケ D=9.5 W=8 | 1 |

NOTE (注記) #01....SELECTIVE PARTS 選択部品

8. AUTOMATIC BACK COMPONENTS (FOR LS-1342-7)

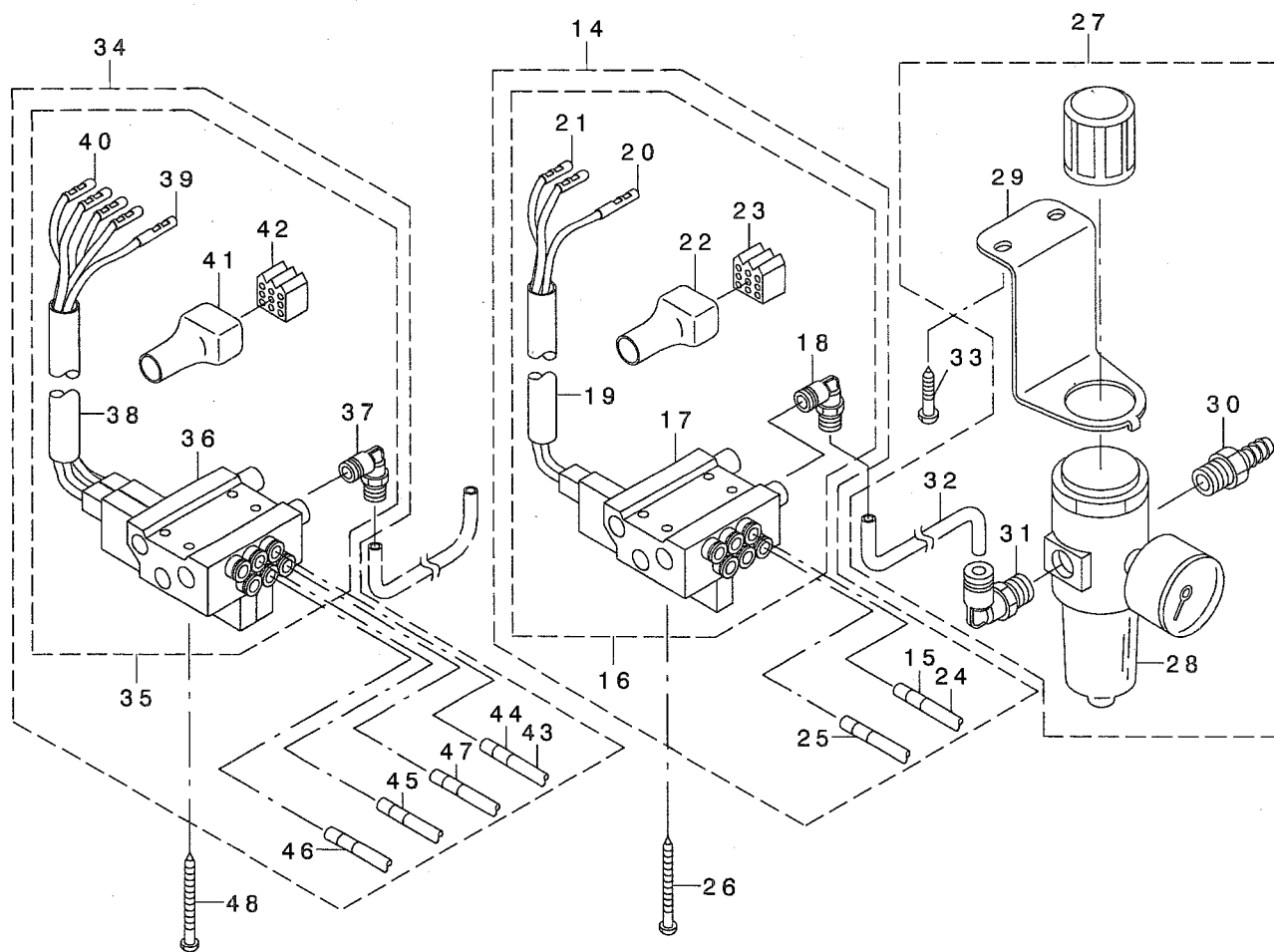
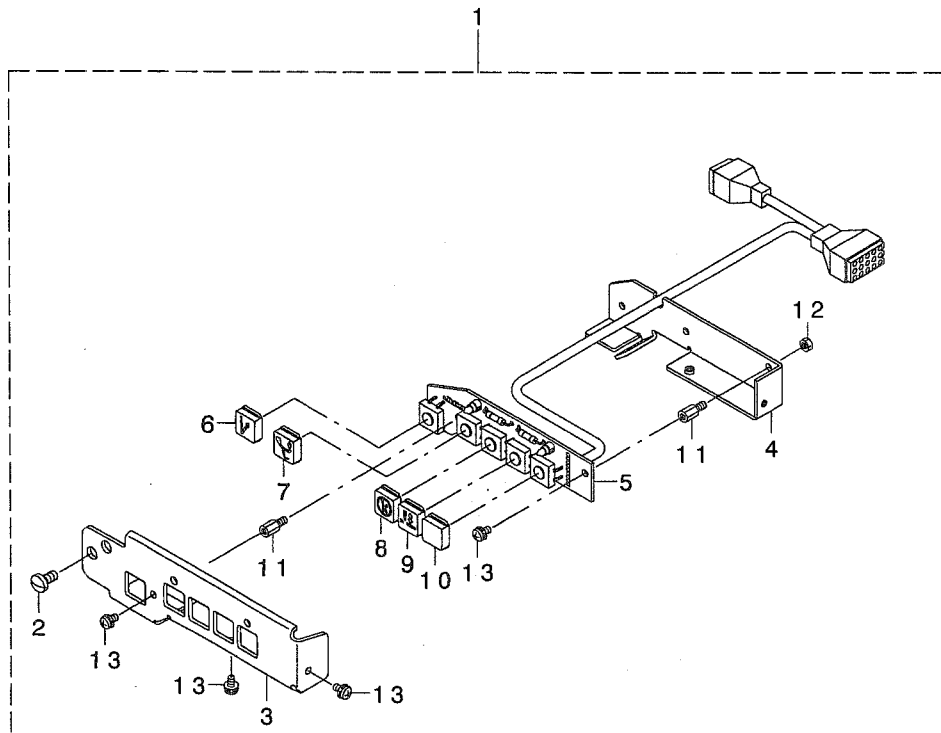
自動バック関係 (LS-1342-7用)



| REF. NO | NOTE | PART NO. | DESCRIPTION | 品名 | Qty |
|---------|------|---------------|----------------------------|----------------------|-----|
| 1 | | PA-3201502-00 | JIG CYLINDER | シグ シリンダ | 1 |
| 2 | | SM-6061602-TP | SCREW M6 L=16 | ロツカクアナホ ルト | 2 |
| 3 | | WP-0641601-SD | WASHER M6 | ヒラサ カネ ミカ キマル M6 | 2 |
| 4 | | 213-48602 | CYLINDER CONNECTING SCREW | シリンダ -レンケツネジ | 1 |
| 5 | | NM-6060003-SC | NUT M6 | ロツカクナツト M6 | 1 |
| 6 | | 213-48503 | FITTING BASE | キ ヤクオクリリソクトリツケタ イ | 1 |
| 7 | | SS-7151210-SP | SCREW 15/64-28 L=12 | マルヒラネジ 15/64-28 L=12 | 2 |
| 8 | | 213-48701 | BACKWARD FEED LINK | キ ヤクオクリソク | 1 |
| 9 | | SD-0800402-TP | HINGE SCREW D= 8 H= 4 | タ ンネジ D=8 H=4 | 1 |
| 10 | | NS-6150430-SP | NUT 15/64-28 | ロツカクナツト 15/64-28 | 1 |
| 11 | | SD-0800352-SP | HINGE SCREW D= 8 H= 3.5 | タ ンネジ D=8 H=3.5 | 2 |
| 12 | | 226-56102 | REVERSE FEED LINK, (1) | キ ヤクオクリソク(1) | 1 |
| 13 | | SS-7120760-SP | SCREW 3/16-28 L= 7.0 | マルヒラネジ 3/16-28 L=7 | 1 |
| 14 | | 226-56003 | SPRING SUSPENSION | レハ -ハ ネカケ | 1 |
| 15 | | SS-4120615-SP | SCREW 3/16-28 L=6 | ナハ ネジ 3/16-28 L=6 | 1 |
| 16 | | 135-15606 | SPRING | イトキリ ホシ ヨカム モト シハ ネ | 1 |
| 17 | | 101-20004 | SPRING SUSPENSION | キ ヤクオクリレハ - ハ ネカケ | 1 |
| 18 | | 111-00500 | REVERSE FEED LEVER STOPPER | ハ ツクレハ - スツハ | 1 |
| 19 | | SS-7111810-SP | SCREW 11/64-40 L=18 | マルヒラネジ 11/64-40 L=18 | 1 |
| 20 | | PJ-3010651-04 | HALF UNION | ストレート | 1 |
| 21 | | PX-0151010-00 | MUFFLER | マフラ | 1 |
| 22 | | 213-49105 | CYLINDER PACKING | シリンダ ハ ッキン | 1 |
| 23 | | HX-0029500-00 | WIRE MARK(1) | ワイヤ-マーク(1) | 1 |

9. CONTROL DEVICE COMPONENTS (FOR LS-1342-7)

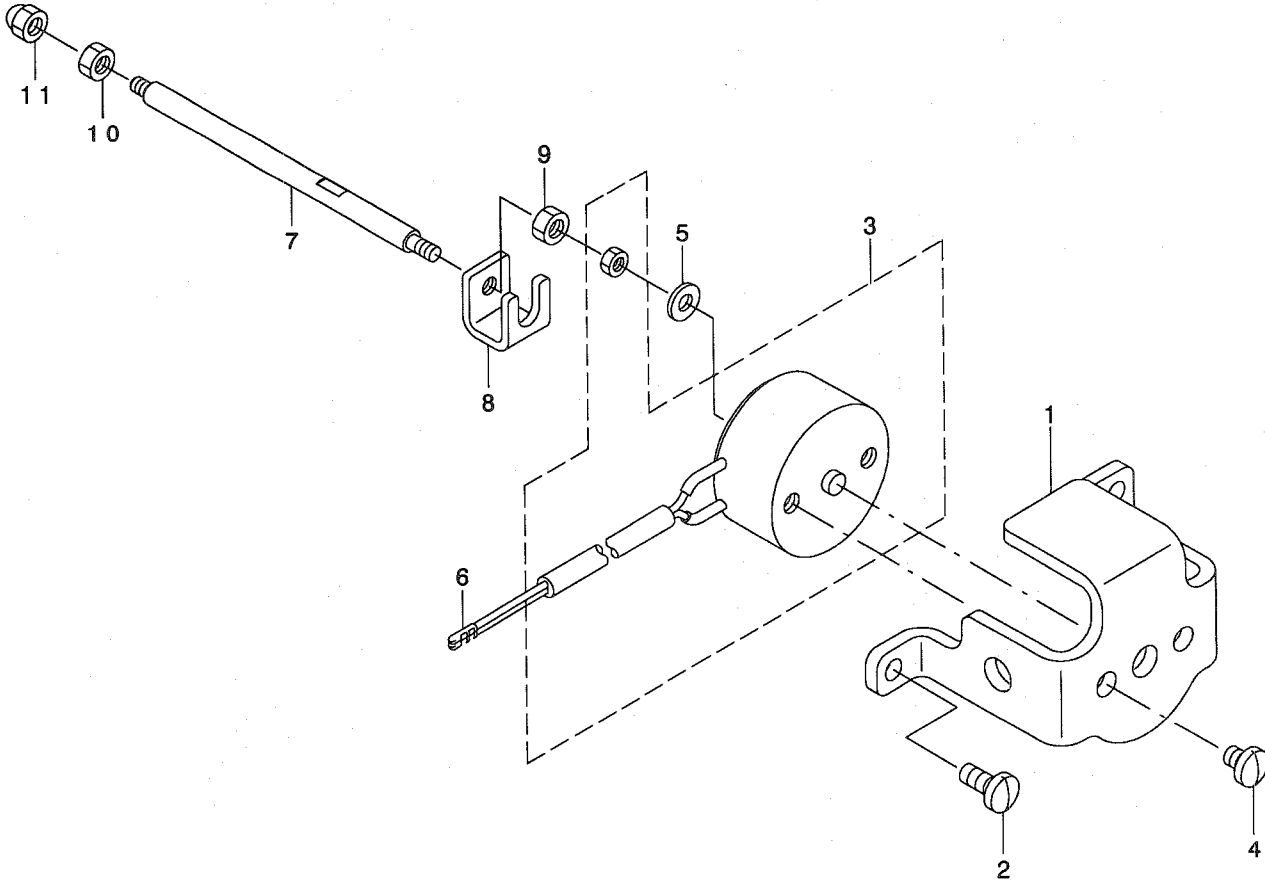
制御装置関係 (LS-1342-7用)



| REF. NO. | NOTE | PART NO. | DESCRIPTION | 品名 | Qty |
|----------|------|---------------|------------------------------|-----------------------|-----|
| 1 | | 214-42553 | 5RANGE SWITCH ASM. | 5レンジスイッチ(クミ) | 1 |
| 2 | | SS-7110840-SP | SCREW 11/64-40 L=7.8 | マルヒラネジ 11/64-40 L=7.8 | (2) |
| 3 | | 214-42603 | SWITCH COVER | スイッチカバー | (1) |
| 4 | | 214-42702 | SWITCH CIRCUIT FITTING BASE | スイッチキハントリツケタイ | (1) |
| 5 | | 214-43551 | 5RANGE SWITCH CIRCUIT A ASM. | 5レンジスイッチキハンA(クミ) | (1) |
| 6 | | 214-42900 | KEY TOP A | キートップA | (1) |
| 7 | | 214-43007 | KEY TOP B | キートップB | (1) |
| 8 | | 214-43106 | KEY TOP C | キートップC | (1) |
| 9 | | 214-43205 | KEY TOP D | キートップD | (1) |
| 10 | | 214-43809 | KEY TOP F | キートップF | (1) |
| 11 | | HX-0035400-0N | SPACER | スペーサ | (4) |
| 12 | | NM-6030001-SC | NUT M3 | ロツカクナツト M3X0.5 1ツユ | (3) |
| 13 | | SL-4030631-SC | SCREW M3X6 | サカネツキナハコネジ M3 L=6 | (4) |
| 14 | | GAK-A2301AA0 | AIR DEVICE A ASM. | エアソウチA(クミ) | 1 |
| 15 | | HX-0029500-00 | WIRE MARK(1) | ワイヤマーク(1) | (2) |
| 16 | | GAK-A2302AA0 | ELECTROMAGNETIC VALVE A ASM. | デソジハソC(クミ) | (1) |
| 17 | | GAK-A2302A00 | ELECTROMAGNETIC VALVE A | デソジハソA | (1) |
| 18 | | GAK-29010000 | ELBOW B | クイツクツキテB(エルボ) | (1) |
| 19 | | GAK-A1503000 | INSULATION TUBE | セツエンチューブ | (1) |
| 20 | | D6042-555-B00 | PIN TERMINAL, FEMALE | ピンターミナルメス | (1) |
| 21 | | D6043-555-B00 | PIN TERMINAL, MALE | ピンターミナルオス | (2) |
| 22 | | M9638-110-000 | 12-POLE RECEPTACLE COVER | リセプタクルカバー 12P | (1) |
| 23 | | D6028-555-BOA | 9-POLE PLUG, WHITE | 9P ナイロソフ ラグ シロ | (1) |
| 24 | | BT-0600401-EB | TUBE | チューブ | (2) |
| 25 | | HX-0029500-0C | WIRE MARK(4) | ワイヤマーク(4) | (2) |
| 26 | | SK-3415001-SE | SCREW D=4.1 L=50 | マルモクネジ D=4.1 L=50 | 4 |
| 27 | | GAK-A23030A0 | FILTER REGULATOR ASM. | フィルタレキユレタ(クミ) | 1 |
| 28 | | GAK-A2303000 | FILTER REGULATOR | フィルタレキユレタ | (1) |
| 29 | | GAK-A2304000 | REGULATOR FITTING PLATE | レキユレタトリツケイタ | (1) |
| 30 | | GAK-29011000 | NIPPLE | エアツキテ | (1) |
| 31 | | GAK-29009000 | ELBOW | クイツクツキテA(エルボ) | (1) |
| 32 | | BT-0600401-EB | TUBE | チューブ | (1) |
| 33 | | SK-3482501-SE | WOOD SCREW D=4.8 L=25 | マルモクネジ D=4.8 L=25 | 2 |
| 34 | | GAK-A2301CA0 | AIR DEVICE C ASM. | エアソウチC(クミ) | 1 |
| 35 | | GAK-A2302CA0 | ELECTROMAGNETIC VALVE C ASM. | デソジハソC(クミ) | (1) |
| 36 | | GAK-A2302C00 | ELECTROMAGNETIC VALVE C | デソジハソC | (1) |
| 37 | | GAK-29010000 | ELBOW B | クイツクツキテB(エルボ) | (1) |
| 38 | | GAK-A1503000 | INSULATION TUBE | セツエンチューブ | (1) |
| 39 | | D6042-555-B00 | PIN TERMINAL, FEMALE | ピンターミナルメス | (1) |
| 40 | | D6043-555-B00 | PIN TERMINAL, MALE | ピンターミナルオス | (4) |
| 41 | | M9638-110-000 | 12-POLE RECEPTACLE COVER | リセプタクルカバー 12P | (1) |
| 42 | | D6028-555-BOA | 9-POLE PLUG, WHITE | 9P ナイロソフ ラグ シロ | (1) |
| 43 | | BT-0600401-EB | TUBE | チューブ | (4) |
| 44 | | HX-0029500-00 | WIRE MARK(1) | ワイヤマーク(1) | (2) |
| 45 | | HX-0029500-0A | WIRE MARK(2) | ワイヤマーク(2) | (2) |
| 46 | | HX-0029500-0B | WIRE MARK(3) | ワイヤマーク(3) | (2) |
| 47 | | HX-0029500-0C | WIRE MARK(4) | ワイヤマーク(4) | (2) |
| 48 | | SK-3415001-SE | SCREW D=4.1 L=50 | マルモクネジ D=4.1 L=50 | 4 |

10. THREAD RELEASE COMPONENTS (FOR LS-1342-7)

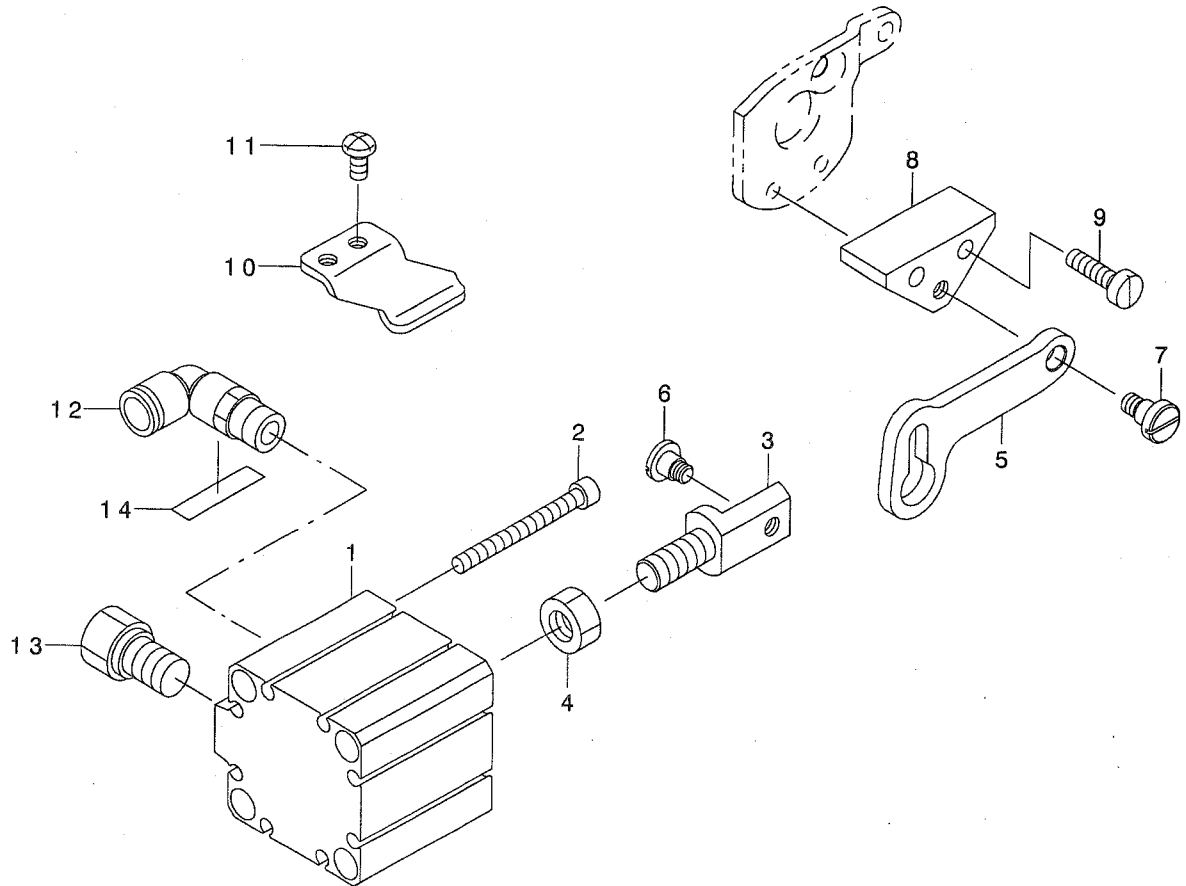
糸ゆるめ関係 (LS-1342-7用)



| REF. NO | NOTE | PART NO. | DESCRIPTION | ヒソメイ | Qty |
|---------|------|---------------|--------------------------|-----------------------|-----|
| 1 | | 214-41407 | SOLENOID FITTING PLATE | ソレノイトトリツケイタ | 1 |
| 2 | | SS-7110910-TP | SCREW 11/64-40 L= 8.5 | マルヒラネジ 11/64-40 L=8.5 | 2 |
| 3 | | 213-63106 | TENSION RELEASE SOLENOID | イトユルメソレノイト | 1 |
| 4 | | SS-7110570-SP | SCREW 11/64-40 L= 4.8 | マルヒラネジ 11/64-40 L=4.8 | 2 |
| 5 | | WP-0371016-SD | WASHER 3.7X8X1 | ヒラサカネ 3.7X8X1 | 1 |
| 6 | | D6043-555-B00 | PIN TERMINAL, MALE | ピンターミナル オス | 2 |
| 7 | | 214-41209 | TENSION RELEASE ROD | イトユルメホウ | 1 |
| 8 | | 214-41308 | COUPLING | カップリング | 1 |
| 9 | | NM-6040001-SN | NUT M4X0.7 | 6カクナツト M4 | 1 |
| 10 | | NM-6040001-SN | NUT M4X0.7 | 6カクナツト M4 | 1 |
| 11 | | NM-7040062-SB | NUT M4 | ロツカクフクロナツト M4 | 1 |

11. DL DEVICE COMPONENTS (FOR LS-1342-7)

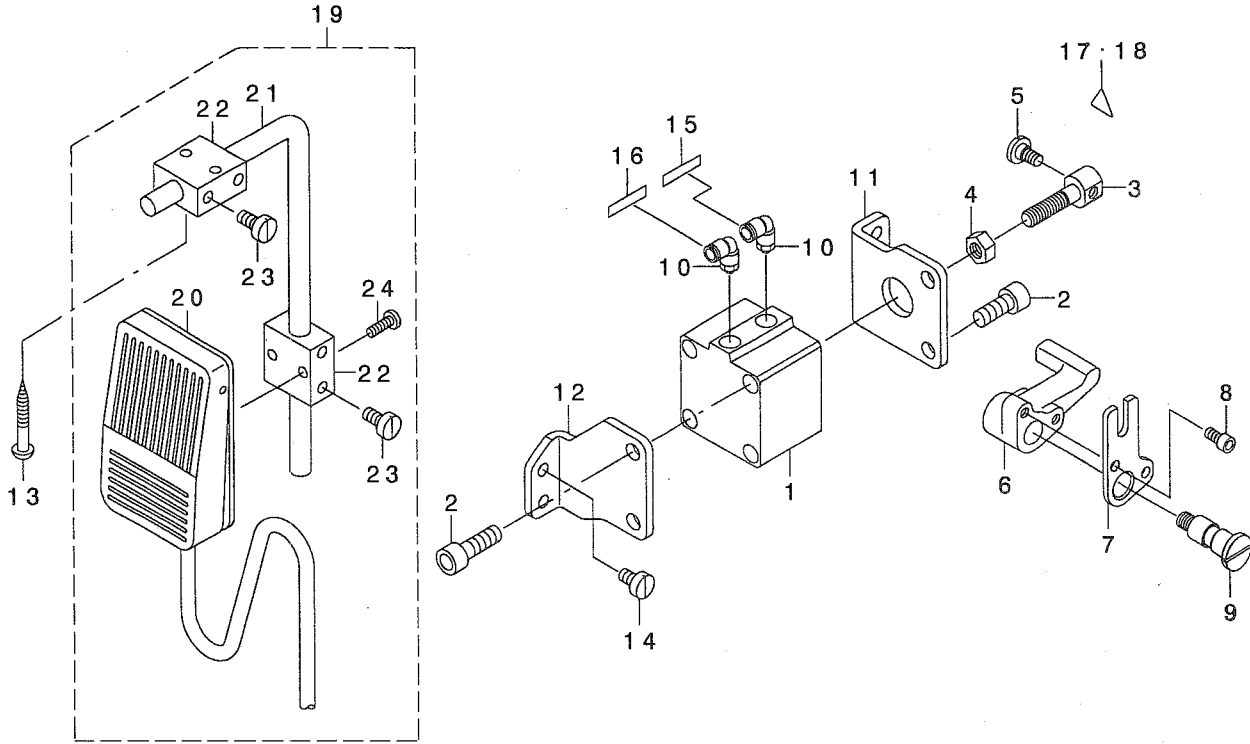
D L装置関係 (LS-1342-7用)



| REF. NO | NOTE | PART NO. | DESCRIPTION | ヒソメイ | Qty |
|---------|------|---------------|------------------------------|--------------------|-----|
| 1 | | PA-3202001-00 | JIG CYLINDER | ジグ シリンダ | 1 |
| 2 | | SM-6044002-TP | SCREW | ロックアナボルト | 2 |
| 3 | | 214-38403 | CYLINDER CONNECTING SCREW | シリンダ -リンクツネジ | 1 |
| 4 | | NM-6080721-SE | NUT M8 | ロックナット M8 | 1 |
| 5 | | 214-38502 | MUTUAL VERTICAL LINK | コウコ ショウケ リンク | 1 |
| 6 | | SD-0600403-TP | HINGE SCREW | ウツホクリフ -リ タンネジ | 1 |
| 7 | | SD-0600452-TP | HINGE SCREW D=6 H=4.5 | タンネジ D=6 H=4.5 | 1 |
| 8 | | 214-38601 | MUTUAL VERTICAL LINK SPASER | コウコ ショウケ リンクスパ -サ | 1 |
| 9 | | SS-6111610-SP | SCREW 11/64-40 L=16 | ヒラネジ 11/64-40 L=16 | 2 |
| 10 | | 214-38700 | MUTUAL VERTICAL LINK SUPPORT | コウコ ショウケ リンクササエ | 1 |
| 11 | | SS-4110815-SP | SCREW 11/64-40 L=8 | ナハネジ 11/64-40 L=8 | 2 |
| 12 | | PJ-3040651-02 | ELBOW | エルボ | 1 |
| 13 | | PX-0151010-00 | MUFFLER | マフラ | 1 |
| 14 | | HX-0029500-0C | WIRE MARK(4) | ワイヤ-マーク(4) | 1 |

12. AUTOMATIC HAND LIFTER (OPTION) COMPONENTS (FOR LS-1342-7)

自動押え上げ関係 (オプション) (LS-1342-7用)

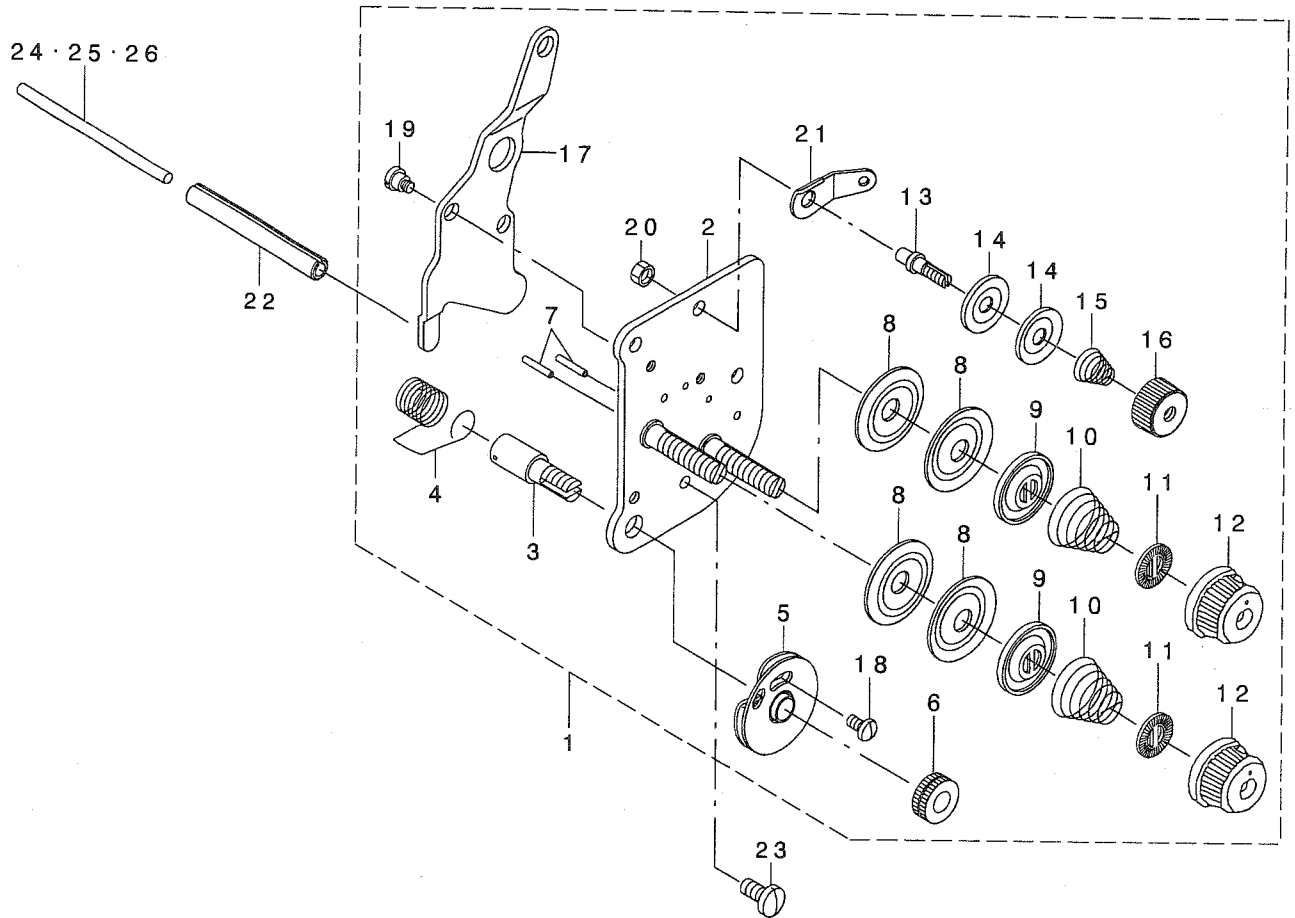


| REF. NO | NOTE | PART NO. | DESCRIPTION | ヒョメイ | Qty |
|---------|------|---------------|----------------------------|---|-----|
| 1 | | PA-4001501-00 | AIR CYLINDER | エアシリンダ | 1 |
| 2 | | SM-6082002-TP | SCREW M8 L=20 | ロツカクアナホ ^ル ト | 4 |
| 3 | | 213-56506 | CYLINDER CONNECTING SCREW | シリンダ ^レ ンクツネシ | 1 |
| 4 | | NM-6080001-SE | NUT M8 | ロツカクナツト M8 1ツユ | 1 |
| 5 | | SD-0720331-SP | HINGE SCREW D= 7.24 H= 3.3 | タ ^ン ネシ ^ク D=7.24 H=3.3 | 1 |
| 6 | | 213-56605 | LEVER A | シ ^ト ウオサエアケ ^レ ハ ^ク -A | 1 |
| 7 | | 213-56803 | LEVER B | シ ^ト ウオサエアケ ^レ ハ ^ク -B | 1 |
| 8 | | SM-6051002-TP | SCREW M5X0.8 L=10 | ロツカクアナホ ^ル ト M5X0.8 L=10 | 2 |
| 9 | | 213-56704 | SHAFT | シ ^ト ウオサエアケ ^レ ハ ^ク -シ ^ク | 1 |
| 10 | | PJ-3040651-02 | ELBOW | エルホ ^ク | 2 |
| 11 | | 213-56308 | CYLINDER STAY(FRONT) | シリンダ ^ス テイ(マ ^エ) | 1 |
| 12 | | 213-56407 | CYLINDER STAY(REAR) | シリンダ ^ス テイ(ウ ^シ ロ) | 1 |
| 13 | | SK-3514000-SC | WOOD SCREW D=5.1 L=40 | マルモクネシ ^ク D=5.1 L=40 | 2 |
| 14 | | SS-6151040-SP | SCREW 15/64-28 L=10 | ヒラネシ ^ク 15/64-28 L=10 | 4 |
| 15 | | HX-0029500-0A | WIRE MARK(2) | ワイヤ ^マ ーク(2) | 1 |
| 16 | | HX-0029500-0B | WIRE MARK(3) | ワイヤ ^マ ーク(3) | 1 |
| 17 | #01 | CM-3002000-B1 | LABEL(16) | ハサミコミチュウイ ^シ ール(16) | 1 |
| 18 | #02 | CM-3002000-01 | ATTENTION SEAL | ユビ ^ク カ ^ク チュウイ ^シ ール(16) | 1 |
| 19 | | GAK-A14040C0 | KNEE SWITCH A ASM. | オサエアケ ^レ ヒサ ^ク スイツチA(ク ^ミ) | 1 |
| 20 | | GAK-A14040A0 | KNEE SWITCH A ASM. | ヒサ ^ク スイツチA(ク ^ミ) | (1) |
| 21 | | MAT-80231T00 | DRIVING BAR, T002 | スイツチ シ ^ツ ウ ^チ (T002) | (1) |
| 22 | | MAT-80230T00 | KNEE SWITCH SUPPORT BASE | スイツチ シ ^ツ タ ^イ (T002) | (2) |
| 23 | | SS-6151220-SP | SCREW 15/64-28 L=11.5 | ヒラネシ ^ク 15/64-28 L=11.5 | (4) |
| 24 | | SS-7111410-SP | SCREW 11/64-40 L=14 | マルヒラネシ ^ク 11/64-40 L=14 | (2) |

NOTE (注記) #01....FOR JAPAN 日本仕様
 #02....EXCEPT JAPAN 日本を除く

13. THREAD TENSION COMPONENTS

糸調子関係



| REF. NO | NOTE | PART NO. | DESCRIPTION | ヒソメイ | Qty |
|---------|------|---------------|--------------------------------|-----------------------|-----|
| 1 | | 214-41068 | THREAD TENSION ASM. | イトチョウジ(クミ) | 1 |
| 2 | | 214-41050 | TENSION POST COMPL. | イトチョウジ(ケツコウ) | (1) |
| 3 | | 103-20109 | SCREW STUD | イトトリハネジク | (1) |
| 4 | | B3128-520-000 | TENSION SPRING | イトトリハネ | (1) |
| 5 | | B3137-051-0AO | TAKE-UP SPRING GUIDE DISC ASM. | イトトリハネ アンナイザラクミ | (1) |
| 6 | | B3125-012-000 | THREAD TENSION NUT | イトチヨウナット | (1) |
| 7 | | 226-18201 | TENSION RELEASE PIN, A | イトユルメピン(A) | (2) |
| 8 | | B3126-012-000 | THREAD TENSION DISK | イトチヨウシラ | (4) |
| 9 | | 226-17906 | THREAD TENSION DISK PRESSER | イトチヨウシラオサエ | (2) |
| 10 | | B3129-526-000 | TENSION SPRING (1.2) | イトチヨウハネ(1.2) | (2) |
| 11 | | B3120-125-000 | ROTATING STOPPER | イトチヨウサラ カイテントメ | (2) |
| 12 | | 119-56802 | THREAD TENSION KNOB, BLUE | イトチヨウツマミ(アオ) | (2) |
| 13 | | 101-24204 | THREAD TENSION POST, A | ダ イ1イトチヨウホ - A | (1) |
| 14 | | 107-41106 | FIRST THREAD TENSION PLATE | ダ イイチイトチヨウシラ | (2) |
| 15 | | 110-45101 | THREAD TENSION SPRING | ダ イイチ イトチヨウハネ | (1) |
| 16 | | 110-72402 | THREAD TENSION NUT | ダ イ1 イトチヨウナット | (1) |
| 17 | | 214-4110 | TENSION RELEASE PLATE | イトユルメタ | (1) |
| 18 | | SS-4080610-SP | SCREW 1/8-44 L=6.4 | ナメネジ 1/8-44 L=6.4 | (1) |
| 19 | | SD-0470281-SP | HINGE SCREW D=4.7 H=2.8 | ダメネジ D=4.7 H=2.8 | (2) |
| 20 | | NS-6110310-SP | NUT 11/64-40 | ロツカナット 11/64-40 | (1) |
| 21 | | D3162-555-B00 | THREAD GUIDE | イトユルメオシホウ | (1) |
| 22 | | PS-0600502-KP | SPRING PIN | スプリングピン | 1 |
| 23 | | SS-7110910-TP | SCREW 11/64-40 L= 8.5 | マルヒラネジ 11/64-40 L=8.5 | 2 |
| 24 | #01 | 213-48206 | TENSION RELEASE BAR | イトユルメオシホウ | 1 |
| 25 | #01 | 103-21107 | TENSION RELEASE BAR | イトユルメ オシホウ | 1 |
| 26 | | 230-6406 | THREAD GUIDE | ダ イイチ イトチヨウホ - アンナイ | 1 |

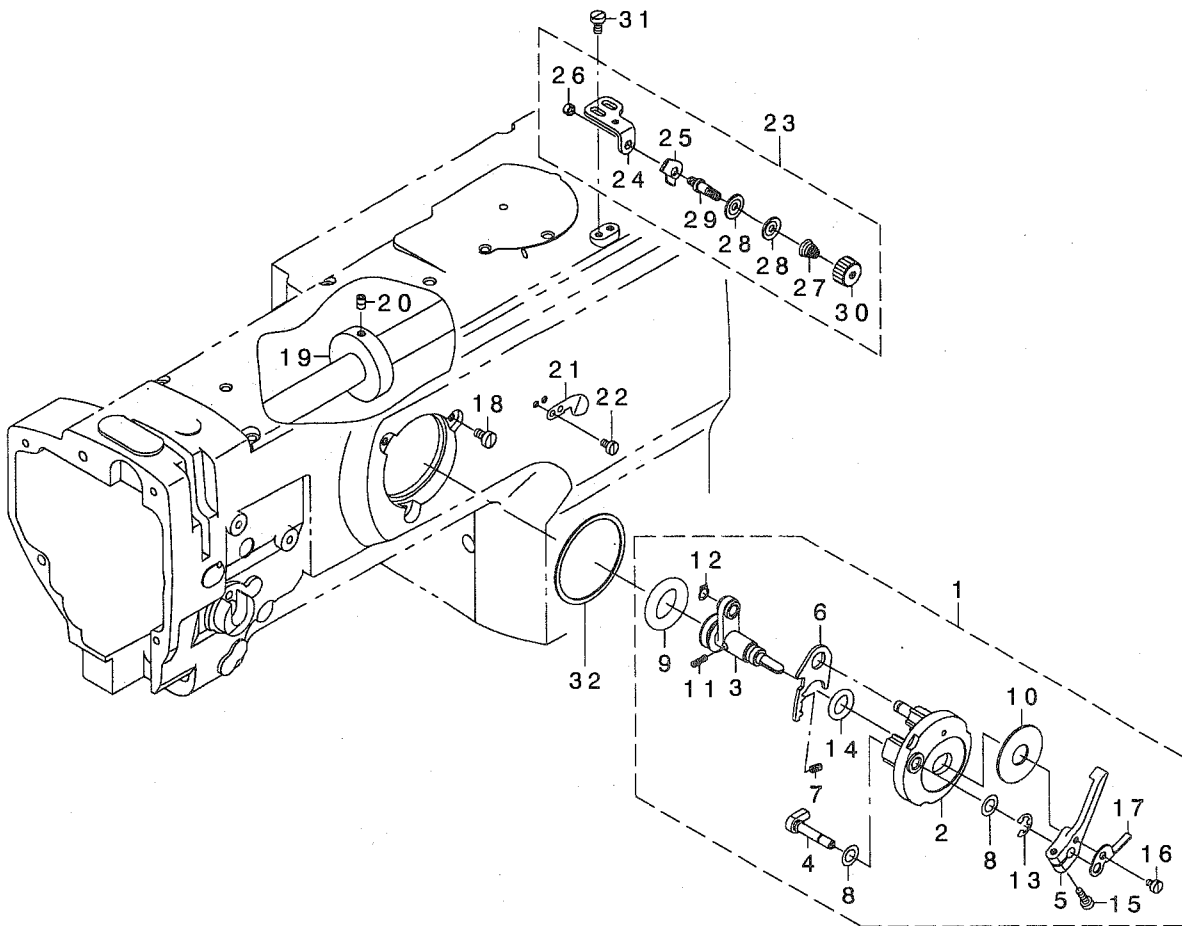
NOTE (注記)

#01....SELECTIVE PARTS

選択部品

14. LOWER THREAD WINDER MECHANISM COMPONENTS

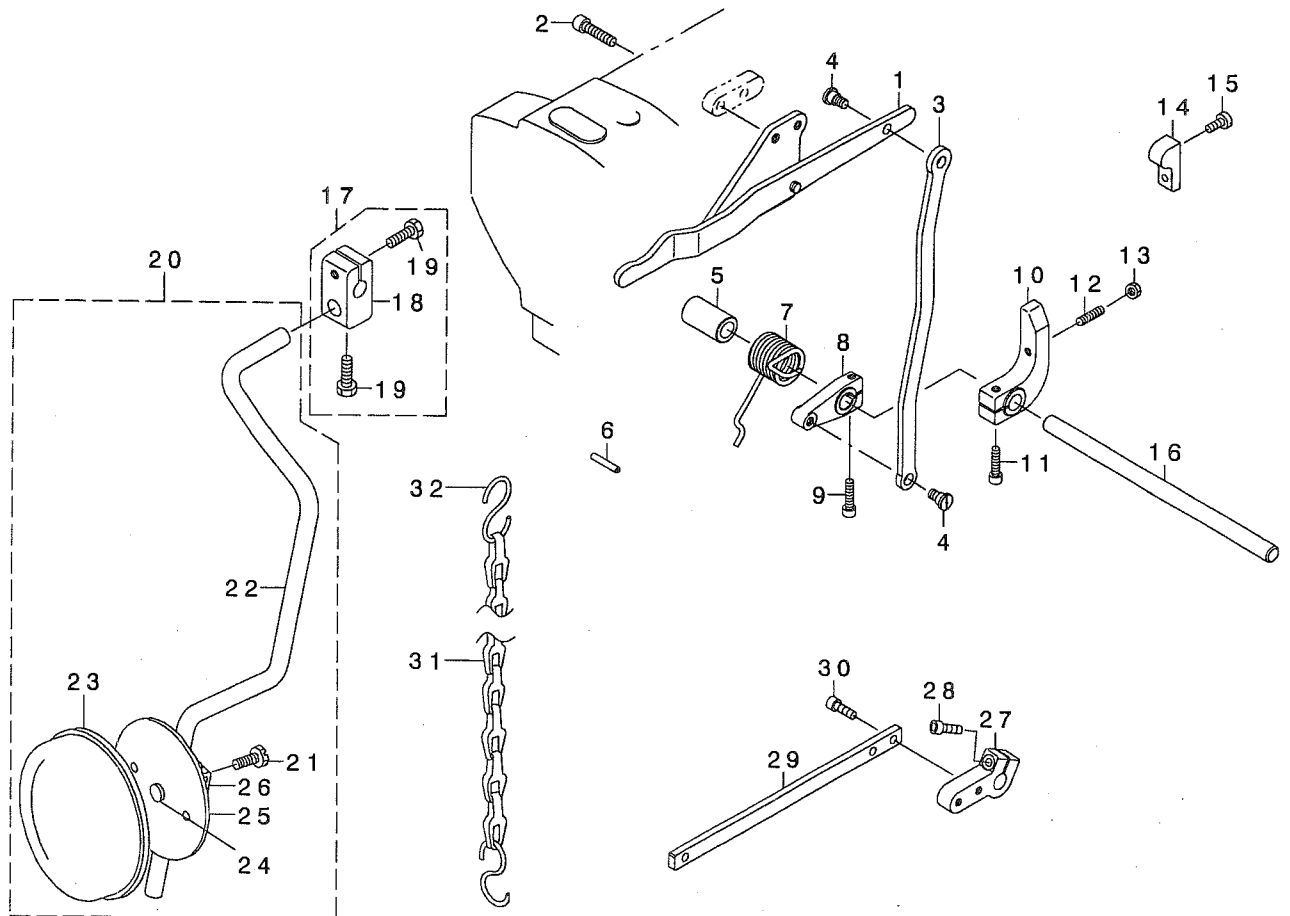
下糸巻き装置関係



| REF. NO | NOTE | PART NO. | DESCRIPTION | ヒソメイ | Qty |
|---------|------|-----------------|-----------------------------|-------------------------|-----|
| 1 | | 213-57967 | BOBBIN DEVICE ASM. | イトマキソウチ(クミ) | 1 |
| 2 | | 225-37658 | BOBBIN FITTING BASIS COMPL. | イトマキトリツケタ'イ(ケツゴ'ウ) | (1) |
| 3 | | 213-57959 | BOBIN SHAFT COMPL. | イトマキシ'ク(ケツゴ'ウ) | (1) |
| 4 | | 225-38151 | BOBBIN CAM SHAFT COMPL. | イトマキカムシ'ク(ケツゴ'ウ) | (1) |
| 5 | | 236-36202 | BOBBIN LEVER | イトマキレハ' | (1) |
| 6 | | 225-38409 | ADJUSTING PLATE | イトマキシ'クタ'イチヨウセツイタ | (1) |
| 7 | | B1529-890-00C-A | PRESSUR FOOT SPRING | オサエハ'ネ | (1) |
| 8 | | 106-18304 | VERTICAL ROLLER WASHER | シ'ユウト'ウ ロー'ラ ワッシャ | (2) |
| 9 | | A3216-001-00A | RUBBER RING | ゴ'ムワ(フ'ラツク) | (1) |
| 10 | | B3205-210-000 | CUSHION | ホ'ビ'ンサ' | (1) |
| 11 | | B1148-555-000 | SPRING | オクリ'チヨ'セツ'ビ'ンハ'ネ | (1) |
| 12 | | RC-0560711-KP | RETAINING RING | Cガ'タメワ | (1) |
| 13 | | RE-0500000-KO | E-RING | Eガ'タメワ 5 | (1) |
| 14 | | RO-0922702-00 | RUBBER RING | オリソク' | (1) |
| 15 | | SS-7091410-SP | SCREW 9/64-40 L=13.5 | マルヒラネシ' 9/64-40 L=13.5 | (1) |
| 16 | | SS-6090520-SP | SCREW 9/64-40 L= 5.0 | ヒラネシ' 9/64-40 L=5 | (1) |
| 17 | | 145-12503 | BOBBIN ADJUSTING PLATE | イトマキチヨウセツイタ | (1) |
| 18 | | SS-6110810-TP | SCREW 11/64-40 L=8 | ヒラネシ' 11/64-40 L=8 | 3 |
| 19 | | 107-04807 | BOBBIN FRICTION WHEEL | イトマキマサツク'ルマ | 1 |
| 20 | | SM-8050602-TP | SCREW M5 L=6 | トメネシ' M5X0.8 L=6 | 2 |
| 21 | | 105-02300 | THREAD CUTTER | イトキリホシ'イタ | 1 |
| 22 | | SS-6090620-TP | SCREW | ヒラネシ' | 1 |
| 23 | | 213-55755 | LOWER THREAD GUIDE ASM. | シ'タイト'アンナイ(クミ) | 1 |
| 24 | | 213-55706 | FITTING BASE | シ'タイト'アンナイトリツケタ'イ | (1) |
| 25 | | D3162-555-B00 | THREAD GUIDE | タ'イイチ'イト'チヨ'シ'ホ' - アンナイ | (1) |
| 26 | | NS-6110310-SP | NUT 11/64-40 | ロツカクナツト 11/64-40 | (1) |
| 27 | | D3168-555-HOB | TENSION SPRING NO.1 | タ'イ1'イト'チヨ'シ'ハ'ネ | (1) |
| 28 | | B3214-047-000 | BOBBIN WINDER TENSION DISC | イト'チヨ'シ'サラ | (2) |
| 29 | | 213-78708 | THREAD TENSION POST | タ'イイチ'イト'チヨ'ウシ'ホ'ウ | (1) |
| 30 | | 110-72402 | THREAD TENSION NUT | タ'イI'イト'チヨ'ウシ'ナツト | (1) |
| 31 | | SM-6040800-SP | SCREW | ヒラネシ' | 2 |
| 32 | | 225-38706 | PACKING | イトマキトリツケタ'イハ'ツキン | 1 |

15. KNEE LIFTER COMPONENTS

膝上げ関係



| REF. NO | NOTE | PART NO. | DESCRIPTION | ヒヤメ | Qty |
|---------|------|---------------|-----------------------------|------------------------|-----|
| 1 | | 214-32851 | KNEE LIFTER LEVER ASM. | ヒザ アゲ テコ(クミ) | 1 |
| 2 | | SM-6062502-TP | SCREW M6 L=25 | ロツカクアナホ ルト M6 L=25 | 2 |
| 3 | | 214-32703 | NEE LIFTER CONNECTING PLATE | ヒザ アゲ レンケツイタ | 1 |
| 4 | | SD-0790451-SP | HINGE SCREW D= 7.94 H= 4.5 | ダ ソネジ D=7.94 H=4.5 | 2 |
| 5 | | 214-33008 | NEE LIFTER CONNECTING PLATE | ヒザ アゲ シ クスラストウケ | 1 |
| 6 | | PS-0400222-KO | SPRING PIN | スプリング ピン | 1 |
| 7 | | 214-33107 | KNEE LIFTER SPRING | ヒザ アゲ バネ | 1 |
| 8 | | 214-05709 | KNEE LIFTER ARM | ヒザ アゲ ウデ | 1 |
| 9 | | SM-6052002-TP | SCREW M5 L=20 | ロツカクアナホ ルト M5X0.8 L=20 | 1 |
| 10 | | 214-32604 | KNEE LIFTER STOPPER ARM | ヒザ アゲ ストバ ウデ | 1 |
| 11 | | SM-6052002-TP | SCREW M5 L=20 | ロツカクアナホ ルト M5X0.8 L=20 | 1 |
| 12 | | SM-8052502-TP | SCREW M5X0.8 L=25 | トメネジ | 1 |
| 13 | | NM-6050001-SD | NUT M5X0.8 | ロツカクナツト M5X0.8 1シユ | 1 |
| 14 | | 214-33206 | STOPPER ARM | ストバ ウデ | 1 |
| 15 | | SS-6121210-SP | SCREW 3/16-28 L=12 | ヒラネジ 3/16-28 L=12 | 2 |
| 16 | | 214-32505 | KNEE LIFTER SHAFT | ヒザ アゲ シ ヲク | 1 |
| 17 | | 229-32453 | BRACKET ASM. | ヒザ アテタテシ クトリツケウデ (クミ) | 1 |
| 18 | | 229-32404 | BRACKET | ヒザ アテタテシ クトリツケウデ | (1) |
| 19 | | 229-34707 | SCREW | ヒザ アテタテシ クトリツケウデ シメネジ | (2) |
| 20 | | 214-33354 | KNEE PRESS PLATE ASM. | ヒザ アテイタ(クミ) | 1 |
| 21 | | SM-9061203-SE | SCREW M6 L=12 | ロツカクホ ルト M6 L=12 | (1) |
| 22 | | 214-33305 | KNEE PRESS LEVER | ヒザ アテレバ | (1) |
| 23 | | 229-34509 | KNEE PAD PLATE COVER | ヒザ アテイタカバ | (1) |
| 24 | | 229-34400 | KNEE PAD PLATE RUBBER | ヒザ アテイタゴム | (1) |
| 25 | | 229-34202 | KNEE PAD PLATE | ヒザ アテイタ | (1) |
| 26 | | 229-34301 | KNEE PAD PLATE SUPPORT | ヒザ アテイタササエ | (1) |
| 27 | #01 | 214-33404 | PRESSER LIFTER ARM | オサエアゲ ウデ | 1 |
| 28 | #01 | SM-6051602-TP | SCREW M5X0.8 L=16 | ロツカクアナホ ルト M5X0.8 L=16 | 1 |
| 29 | #01 | 214-33503 | PRESSER LIFTER PLATE | オサエアゲ イタ | 1 |
| 30 | #01 | SM-6051552-TP | SCREW M5 L=15 | ロツカクアナホ ルト | 2 |
| 31 | #01 | B8131-019-000 | CHAIN | クサリ | 1 |
| 32 | #01 | B8133-019-000 | S SHAPED HOOK | サガタ カナク | 2 |

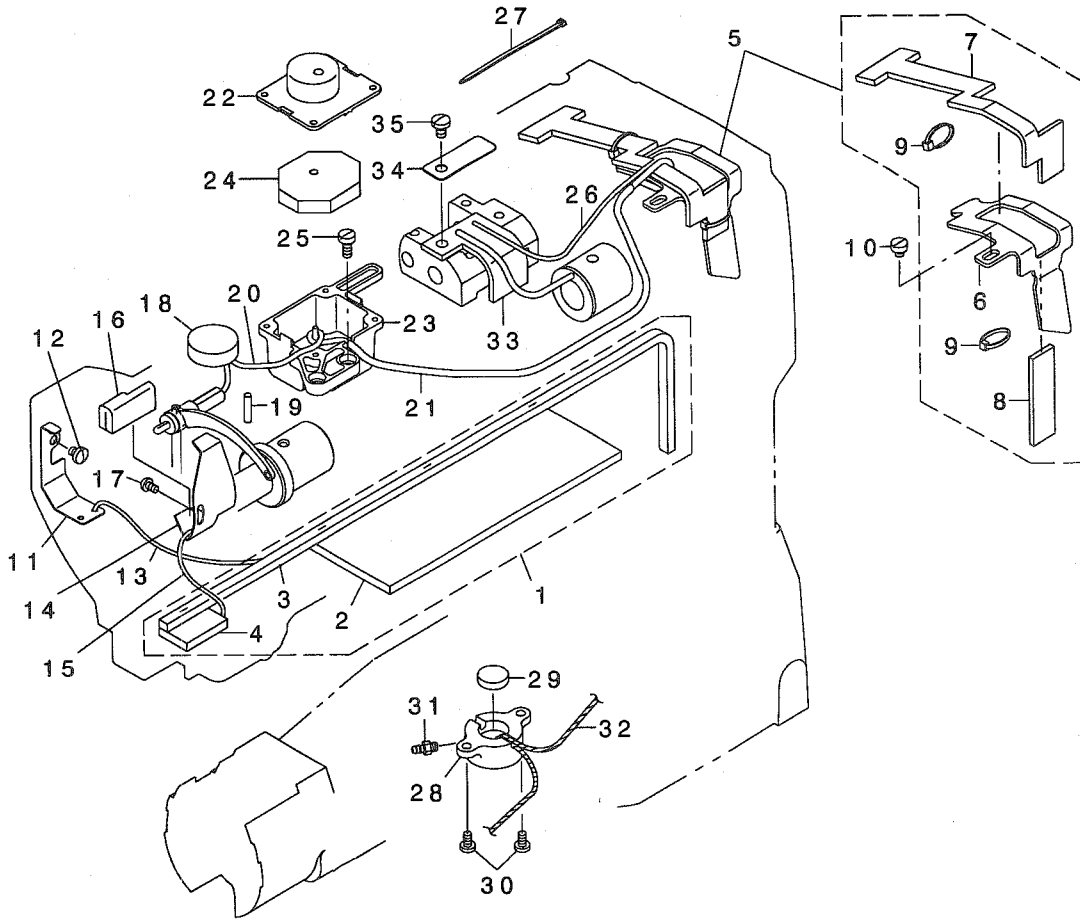
NOTE (注記)

#01...OPTIONAL PARTS

オプ ション部品

16. LUBRICATION COMPONENTS

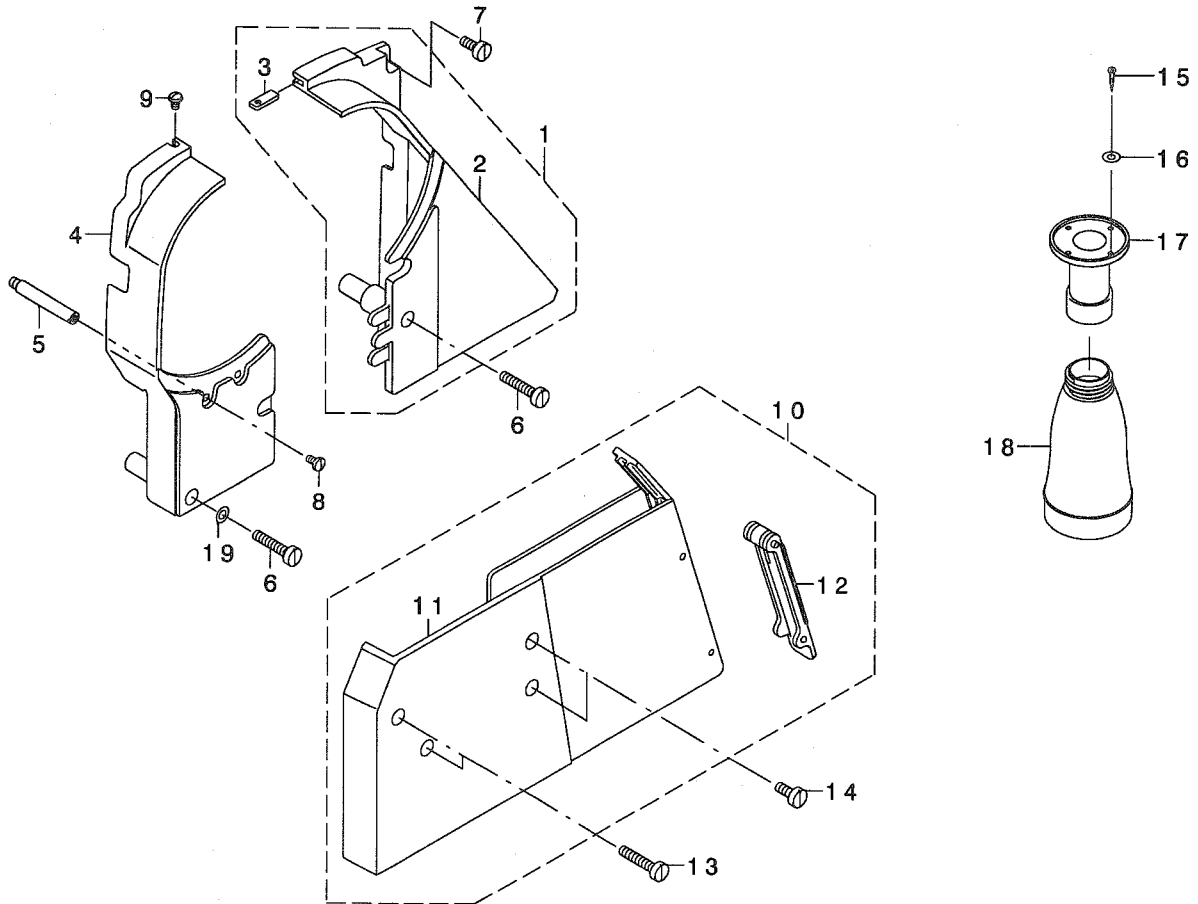
給油関係



| REF. NO | NOTE | PART NO. | DESCRIPTION | とんメイ | Qty |
|---------|------|---------------|--------------------------------|-------------------------|------|
| 1 | | 213-45756 | ARM ONCE THROUGH OIL FELT ASM. | ア-ムカンリユウフェルト(クミ)LU-1510 | 1 |
| 2 | | 213-45707 | ARM ONCE THROUGH FELT A | ア-ムカンリユウフェルトA | (1) |
| 3 | | 213-45806 | FELT B | ア-ムカンリユウフェルトB | (1) |
| 4 | | 213-45905 | FACE ONCE THROUGH FELT | メンア'カンリユウフェルト | (1) |
| 5 | | 213-46358 | FELT SUPPORT ASM. | フェルトササエ(クミ) | 1 |
| 6 | | 213-46309 | FELT | フェルトササエ | (1) |
| 7 | | 213-46507 | FEED CHANGE FELT | オクリハンカンタイフェルト | (1) |
| 8 | | 213-46408 | FELT | カムキユウフェルト | (1) |
| 9 | | EA-9500B00-00 | CLIP CV-70S | ケツツクハ'ント' 60 | (2) |
| 10 | | SS-6110480-SP | SCREW 11/64-40 L=4.3 | ヒラネジ' 11/64-40 L=4.3 | 1 |
| 11 | | 213-40708 | UPPER FEED OIL BAR PLATE | ウラオクリユホ'ウイタ | 1 |
| 12 | | SS-7110510-SP | SCREW 11/64-40 L=5 | マルヒラネジ' 11/64-40 L=5 | 1 |
| 13 | | CQ-2020000-00 | OIL WICK | ユシ | 0.2 |
| 14 | | 213-47000 | TAKE-UP OIL PLATE | テンビ'ソユホ'ウハ'ソ | 1 |
| 15 | | CQ-2020000-00 | OIL WICK | ユシ | 0.2 |
| 16 | | 213-47208 | TAKE-UP LUBRICATION FELT | テンビ'ソキユウフェルト | 1 |
| 17 | | SS-3090610-SP | SCREW 9/64-40 L=6 | マルネジ' 9/64-40 L=6 | 1 |
| 18 | | 213-46002 | FELT | ア-ムキユウフェルト | 1 |
| 19 | | B1412-051-000 | FELT | ハリホ' -タ'キ フェルト | 1 |
| 20 | | CQ-2520000-00 | OIL WICK | ユシ | 0.3 |
| 21 | | BT-0500300-EA | OIL TUBE | ウレタンチューブ' | 0.25 |
| 22 | | 214-07507 | OIL TANK A | シ'ヨウア'ア'ラタンクA | 1 |
| 23 | | 214-07606 | OIL TANK B | シ'ヨウア'ア'ラタンクB | 1 |
| 24 | | 214-07705 | FELT | シ'ヨウア'ア'ラタンクフェルト | 2 |
| 25 | | SS-6111010-SP | SCREW 11/64-40 L=9.5 | ヒラネジ' 11/64-40 L=9.5 | 2 |
| 26 | | CQ-2020000-00 | OIL WICK | ユシ | 0.15 |
| 27 | | EA-9500B00-00 | CLIP CV-70S | ケツツクハ'ント' 60 | 1 |
| 28 | | 214-33800 | OIL TANK | オイルタンク | 1 |
| 29 | | B1203-051-000 | OIL FELT | ウラシ'クマエタル フェルト | 1 |
| 30 | | SS-7110710-SP | SCREW 11/64-40 L=7 | マルヒラネジ' 11/64-40 L=7 | 2 |
| 31 | | SQ-1110401-MZ | CONNECTING SCREW | チユ-ブ'レンケツネジ' | 1 |
| 32 | | CQ-2020000-00 | OIL WICK | ユシ | 0.3 |
| 33 | | 213-46200 | MUTUAL VERTICAL CHANGE FELT | コウゴ'シ'ヨウカ'ハンカンタイフェルト | 1 |
| 34 | | 213-46101 | LUBRICATION FELT PRESSER | ハンカンタイキユウフェルトオサエ | 1 |
| 35 | | SS-7120760-SP | SCREW 3/16-28 L=7.0 | マルヒラネジ' 3/16-28 L=7 | 1 |

17. BELT COVER & OIL RESERVOIR COMPONENTS

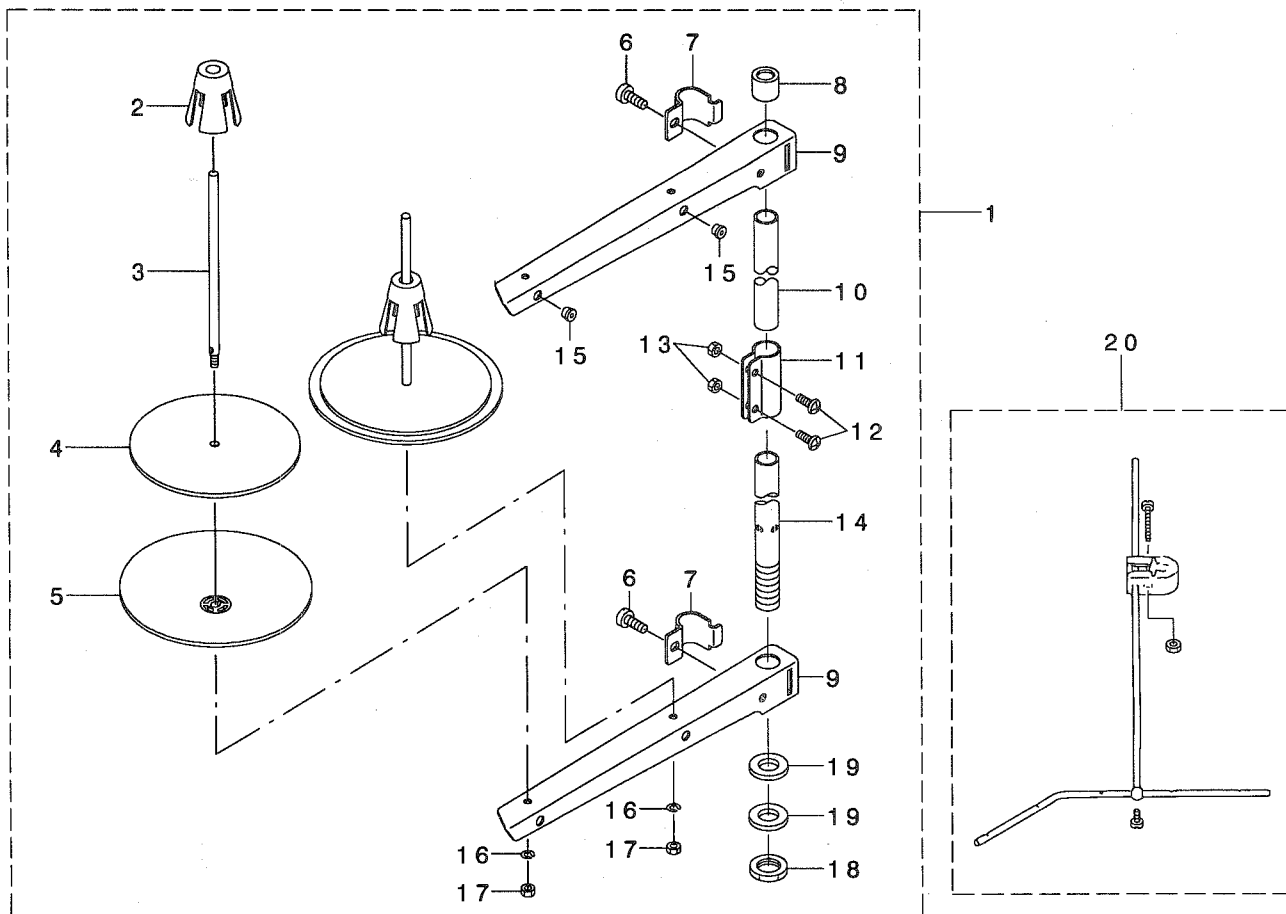
ベルトカバー・油抜き関係



| REF. NO | NOTE | PART NO. | DESCRIPTION | ヒラネジ | Qty |
|---------|------|---------------|----------------------------|-----------------------|-----|
| 1 | | 213-51150 | BELT COVER ASM. (RIGHT) | ベルトカバー-(ミキ)クミ | 1 |
| 2 | | 213-51101 | BELT COVER (RIGHT) | ベルトカバー-(ミキ) | (1) |
| 3 | | 213-51002 | BELT COVER AUXILIARY PLATE | ベルトカバー-ホジヨイタ | (1) |
| 4 | | 213-51200 | BELT COVER (LEFT) | ベルトカバー-(ヒタリ) | 1 |
| 5 | | D8232-241-E00 | BELT COVER SUPPORT A | ベルトカバー-シチュウ A | 1 |
| 6 | | SS-6153040-SP | SCREW 15/64-28 L=30 | ヒラネジ 15/64-28 L=30 | 2 |
| 7 | | SS-6151440-SP | SCREW 15/64-28 L=14 | ヒラネジ 15/64-28 L=14 | 1 |
| 8 | | SS-7110840-SP | SCREW 11/64-40 L=7.8 | マルヒラネジ 11/64-40 L=7.8 | 1 |
| 9 | | SS-5110740-TP | SCREW 11/64-40 L= 6.5 | トラスネジ 11/64-40 L=6.5 | 1 |
| 10 | | 214-34451 | BELT COVER ASM. , LOWER | ベルトカバー-シタ(クミ) | 1 |
| 11 | | 214-34402 | BELT COVER LOWER | ベルトカバー-シタ | (1) |
| 12 | | 214-34501 | BELT COVER COVER | ベルトカバー-フタ | (1) |
| 13 | | SS-6153040-SP | SCREW 15/64-28 L=30 | ヒラネジ 15/64-28 L=30 | 2 |
| 14 | | SS-6151440-SP | SCREW 15/64-28 L=14 | ヒラネジ 15/64-28 L=14 | 2 |
| 15 | | SK-3241601-SC | WOOD SCREW D=2.4 L=16 | マルモクネジ D=2.4 L=16 | 4 |
| 16 | | WP-0320501-SC | WASHER M3 | ヒラサカネ 3.2X7X0.5 | 4 |
| 17 | | B8202-205-000 | OIL MANAGEMENT | アブラスキ | 1 |
| 18 | | B9121-012-000 | OIL CAN | アブラビン | 1 |
| 19 | | WP-0612076-SP | WASHER 6.1X11X2 | ヒラサカネ 6.1X11X2 | 1 |

18. THREAD STAND COMPONENTS

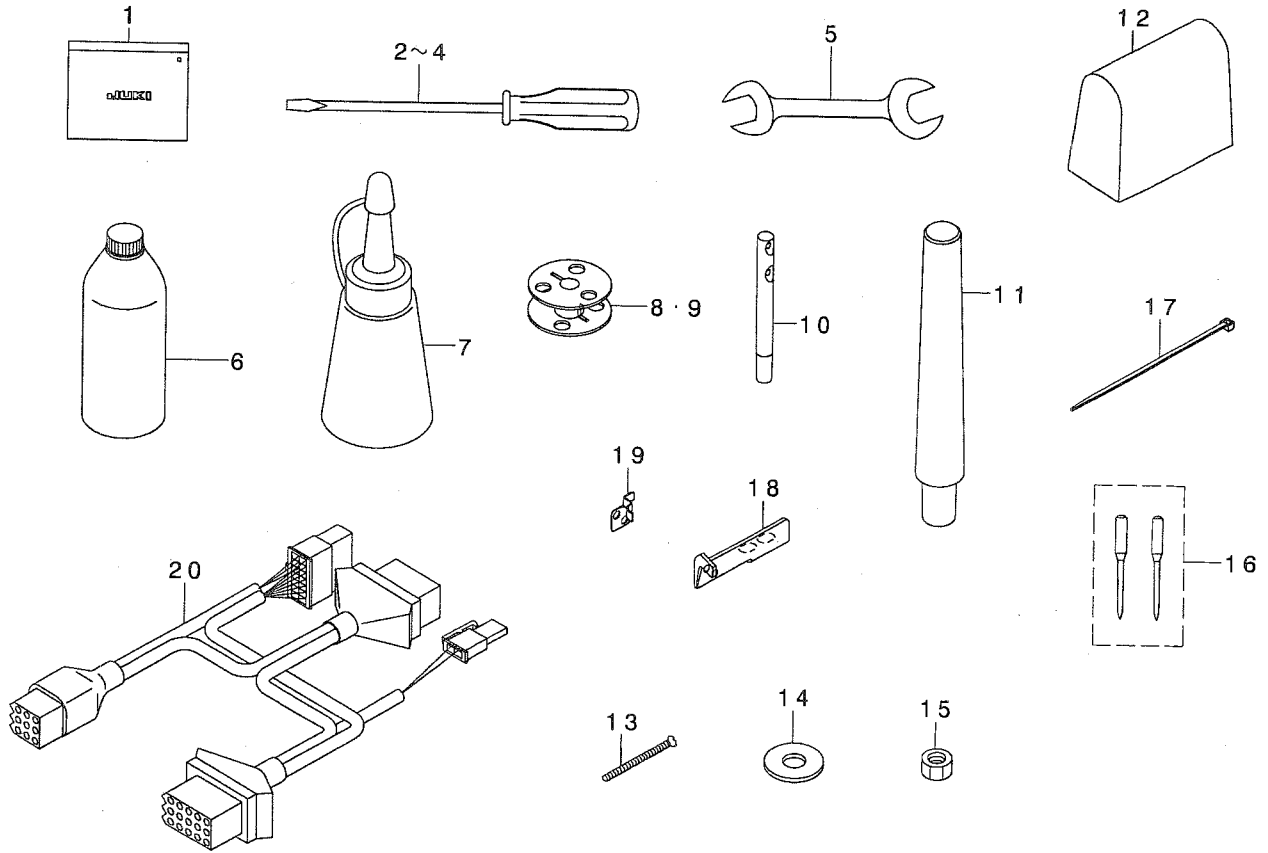
糸立て装置関係



| REF. NO | NOTE | PART NO. | DESCRIPTION | ヒソメイ | Qty |
|---------|------|---------------|---------------------------|---------------------|-----|
| 1 | | 229-30358 | THREAD STAND ASM. | イトタテソウチ(クミ) | 1 |
| 2 | | 229-31109 | SPOOL RETAINER | イトマキフレトメ | (2) |
| 3 | | 229-31000 | SPOOL PIN | イトマキウケホウウ | (2) |
| 4 | | 229-30903 | SPOOL REST CUSHION | イトマキウケザラクッション | (2) |
| 5 | | 229-30804 | SPOOL REST | イトマキウケザラ | (2) |
| 6 | | SM-6061610-SC | SCREW M6 L=16 | ヒラコネシ M6 L=16 | (2) |
| 7 | | 229-30705 | THREAD GUIDE ARM JOINT | イトタテホウウツメカナク | (2) |
| 8 | | 229-31406 | SPOOL REST ROD RUBBER CAP | イトタテホウウホコゴム | (1) |
| 9 | | 229-30507 | SPOOL REST ARM | イトタテウテ | (2) |
| 10 | | 229-30408 | SPOOL REST ROD, UPPER | イトタテホウウ(ウエ) | (1) |
| 11 | | 229-31307 | SPOOL REST ROD JOINT | イトタテホウウツキテ | (1) |
| 12 | | SM-4051405-SE | SCREW M5 L=14 | ナハコネシ M5 L=14 | (2) |
| 13 | | NM-6050001-SE | NUT M5 | ロツカクナツト M5 | (2) |
| 14 | | 229-30309 | SPOOL REST ROD, LOWER | イトタテホウウ(シタ) | (1) |
| 15 | | 229-31208 | THREAD GUIDE | イトミチ | (2) |
| 16 | | WS-0510002-KN | SPRING WASHER | ハネザカネ 5.1X9.2X1.3 | (2) |
| 17 | | NM-6050001-SE | NUT M5 | ロツカクナツト M5 | (2) |
| 18 | | NM-6160511-SE | NUT M16X1.5 | ロツカクナツト M16X1.5 1ｼユ | (1) |
| 19 | | WP-1702600-SO | WASHER 17X30X2.6 | ヒラザカネ 17X30X2.6 | (2) |
| 20 | | B3309-704-OAO | THREAD GUIDE ARM ASM. | イトタテイトアンナイウテクミ | 1 |

19. ACCESSORIES PARTS COMPONENTS

付属品関係



| REF. NO | NOTE | PART NO. | DESCRIPTION | ヒソメイ | Qty |
|---------|-----------|----------------------|------------------------------|----------------------|-----|
| 1 | | B9101-552-000 | ACCESSORY BOX | フツクヒソバコ | 1 |
| 2 | | 229-33006 | SCREW DRIVER, LARGE | トライバ - (タイ) | 1 |
| 3 | | B9110-012-000 | SCREW DRIVER, MIDDLE | トライバ - (チユウ) | 1 |
| 4 | | B9111-012-000 | SCREW DRIVER, SMALL | トライバ - (ショウ) | 1 |
| 5 | | B9113-012-000 | WRENCH (9X10) | リョウキチスパナ(ショウ) | 1 |
| 6 | | MDF-RX2700C0 | NEW DEFRIX OIL NO.2(700CC) | デフレックスオイルNO.2(700CC) | 1 |
| 7 | | J1067-000-000 | OILER | アブラサシ | 1 |
| 8 | #02 | B9117-201-000 | BOBBIN | ホビン | 1 |
| 9 | #01 | 107-59603 | ALUMINUM BOBBIN (DOUBLE-CUT) | アルミホビン(ローレットツキ) | 1 |
| 10 | #02 | 229-58300 | NEEDLE THREAD GUIDE PIN | イトアンナイホウ | 1 |
| 11 | | B8204-245-00A | FRAME SUPPORT BAR | トウアササエホウ | 1 |
| 12 | #03 | 105-29808 | COVER | トウアビニールカバー | 1 |
| 13 | | B9130-245-000 | BOLT | トリツケボルト | 4 |
| 14 | | WP-0751576-SD | WASHER 7.5X19X1.5 | ヒラサガネ 7.5X19X1.5 | 4 |
| 15 | | NM-6060001-SD | NUT M6 | ロツカクナツト M6 1ツユ | 4 |
| 16 | | MC-3720016-02 | NEEDLE SY3355 #160-2 | SY3355 #160-2 | 1 |
| 17 | #01 | EA-9500B01-00 | CABLE BAND | ソクセンバンド | 3 |
| 18 | #01 | 214-40102 | FIXING KNIFE | コテメス | 1 |
| 19 | #01 | 214-40201 | CLAMP PLATE | クランプイタ | 1 |
| 20 | #01 | 214-43957 | RELAY CORD ASM. | チュウケイコード(クミ) | 1 |
| | NOTE (注記) | #01....FOR LS-1342-7 | | FOR LS-1342-7用 | |
| | | #02....FOR LS-1342 | | FOR LS-1342用 | |
| | | #03....EXCEPT JAPAN | | 日本を除く | |

N U M E R I C A L I N D E X O F P A R T S

索引

| PART NO 品番 | PAGE 頁 | REF NO | PART NO 品番 | PAGE 頁 | REF NO | PART NO 品番 | PAGE 頁 | REF NO | PART NO 品番 | PAGE 頁 | REF NO |
|-----------------|-----------|-----------|---------------|-----------|-----------|---------------|-----------|---------------|---------------|-----------|-----------|
| A3216-001-00A | 19 | 9 | B8133-019-000 | 20 | 32 | GPK-58005000 | 6 | 35 | SD-0640322-TP | 10 | 57 |
| BT-0500300-EA | 10 | 59 | B8202-205-000 | 22 | 17 | HX-0012300-0A | 2 | 82 | SD-0640451-TP | 11 | 28 |
| BT-0500300-EA | 21 | 21 | B8204-245-00A | 24 | 11 | HX-0029500-0A | 14 | 45 | SD-0640631-TP | 11 | 26 |
| BT-0600401-EB | 14 | 24 | B9101-552-000 | 24 | 1 | HX-0029500-0A | 17 | 15 | SD-0640701-SP | 6 | 16 |
| BT-0600401-EB | 14 | 32 | B9110-012-000 | 24 | 3 | HX-0029500-0B | 14 | 46 | SD-0640752-TP | 8 | 26 |
| BT-0600401-EB | 14 | 43 | B9111-012-000 | 24 | 4 | HX-0029500-0B | 17 | 16 | SD-0720331-SP | 17 | 5 |
| B1116-246-000 | 2 | 62 | B9113-012-000 | 24 | 5 | HX-0029500-0C | 14 | 25 | SD-0790451-SP | 11 | 13 |
| B1117-246-000 | 2 | 61 | B9117-201-000 | 10 | 1 | HX-0029500-0C | 14 | 47 | SD-0790701-SP | 8 | 28 |
| B1129-051-000 | 2 | 22 | B9117-201-000 | 24 | 8 | HX-0029500-0C | 16 | 14 | SD-0800352-SP | 2 | 63 |
| B1132-521-000 | 2 | 27 | B9121-012-000 | 22 | 18 | HX-0029500-00 | 12 | 23 | SD-0800352-SP | 12 | 11 |
| B1148-555-000 | 19 | 11 | B9130-245-000 | 24 | 13 | HX-0029500-00 | 14 | 15 | SD-0800402-TP | 8 | 55 |
| B1203-051-000 | 21 | 29 | CM-3002000-B1 | 2 | 43 | HX-0029500-00 | 14 | 44 | SD-0800402-TP | 12 | 9 |
| B1203-512-000 | 3 | 29 | CM-3002000-B1 | 17 | 17 | HX-0035400-0N | 14 | 11 | SD-0800481-SP | 6 | 45 |
| B1210-051-000 | 3 | 10 | CM-3002000-01 | 2 | 44 | J1067-000-000 | 24 | 7 | SD-0900701-TP | 8 | 13 |
| B1214-019-000 | 10 | 47 | CM-3002000-01 | 17 | 18 | MAT-80230T00 | 17 | 22 | SD-1000801-SH | 8 | 74 |
| B1301-340-000 | 10 | 35 | CM-3002001-A1 | 2 | 42 | MAT-80231T00 | 17 | 21 | SK-3241601-SC | 22 | 15 |
| B1305-055-000-A | 10 | 48 | CM-3002001-01 | 2 | 41 | MC-3720016-00 | 4 | 11 | SK-3415001-SE | 14 | 26 |
| B1307-055-000 | 10 | 49 | CQ-2020000-00 | 3 | 5 | MC-3720016-02 | 24 | 16 | SK-3415001-SE | 14 | 48 |
| B1308-055-000 | 10 | 50 | CQ-2020000-00 | 8 | 70 | MDF-RX2700C0 | 24 | 6 | SK-3482501-SE | 14 | 33 |
| B1309-055-000 | 10 | 51 | CQ-2020000-00 | 10 | 28 | M4007-110-0AA | 3 | 33 | SK-3514000-SC | 17 | 13 |
| B1310-055-000 | 10 | 52 | CQ-2020000-00 | 21 | 13 | M4007-110-0AB | 3 | 34 | SL-4030631-SC | 14 | 13 |
| B1314-055-000 | 10 | 54 | CQ-2020000-00 | 21 | 15 | M9638-110-000 | 11 | 8 | SL-4040881-SC | 6 | 34 |
| B1401-246-000 | 4 | 5 | CQ-2020000-00 | 21 | 26 | M9638-110-000 | 14 | 22 | SM-1050801-SR | 6 | 72 |
| B1410-771-000 | 4 | 21 | CQ-2020000-00 | 21 | 32 | M9638-110-000 | 14 | 41 | SM-4030401-SC | 2 | 60 |
| B1411-057-0A0 | 4 | 6 | CQ-3030000-00 | 3 | 7 | NM-6030001-SC | 14 | 12 | SM-4030601-SC | 2 | 37 |
| B1411-057-000 | 4 | 9 | CQ-5050000-00 | 3 | 11 | NM-6030003-SC | 2 | 34 | SM-4051405-SE | 23 | 12 |
| B1412-051-000 | 4 | 8 | CS-0950816-SH | 11 | 44 | NM-6030003-SC | 2 | 57 | SM-6040552-TP | 6 | 52 |
| B1412-051-000 | 21 | 19 | CS-111101C-SH | 8 | 32 | NM-6040001-SN | 15 | 9 | SM-6040602-TP | 11 | 4 |
| B1414-232-000 | 4 | 22 | CS-1111019-SH | 8 | 33 | NM-6040001-SN | 15 | 10 | SM-6040800-SP | 19 | 31 |
| B1414-232-000 | 8 | 6 | CS-1201010-SH | 8 | 76 | NM-6050001-SD | 20 | 13 | SM-6044002-TP | 16 | 2 |
| B1414-232-000 | 8 | 25 | CS-1201011-SH | 8 | 77 | NM-6050001-SE | 23 | 13 | SM-6051002-TP | 17 | 8 |
| B1414-555-000 | 6 | 17 | D2112-555-B00 | 2 | 80 | NM-6050001-SE | 23 | 17 | SM-6051202-TP | 10 | 9 |
| B1414-555-000 | 6 | 21 | D3162-555-B00 | 18 | 21 | NM-6060001-SD | 24 | 15 | SM-6051402-TP | 6 | 67 |
| B1418-552-A00 | 4 | 31 | D3162-555-B00 | 19 | 25 | NM-6060003-SC | 12 | 5 | SM-6051552-TP | 20 | 30 |
| B1418-761-000 | 8 | 69 | D3168-555-HOB | 19 | 27 | NM-6080001-SE | 17 | 4 | SM-6051602-TP | 20 | 28 |
| B1462-053-000 | 6 | 47 | D6028-555-BOA | 11 | 7 | NM-6080721-SE | 16 | 4 | SM-6052002-TP | 6 | 91 |
| B1465-053-000 | 6 | 23 | D6028-555-BOA | 14 | 23 | NM-6160511-SE | 23 | 18 | SM-6052002-TP | 20 | 9 |
| B1466-563-000 | 6 | 24 | D6042-555-B00 | 14 | 20 | NM-7040062-SB | 15 | 11 | SM-6052002-TP | 20 | 11 |
| B1467-053-0A0 | 6 | 25 | D6042-555-B00 | 14 | 39 | NS-6110310-SP | 18 | 20 | SM-6061602-TP | 12 | 2 |
| B1468-053-000 | 6 | 26 | D6043-555-B00 | 11 | 6 | NS-6110310-SP | 19 | 26 | SM-6061610-SC | 23 | 6 |
| B1501-141-H00 | 6 | 37 | D6043-555-B00 | 14 | 21 | NS-6150430-SP | 12 | 10 | SM-6061802-TP | 8 | 60 |
| B1502-246-000 | 6 | 44 | D6043-555-B00 | 14 | 40 | NS-6660430-SP | 8 | 29 | SM-6062502-TP | 20 | 2 |
| B1526-527-00G | 6 | 63 | D8232-241-E00 | 22 | 5 | PA-3201502-00 | 12 | 1 | SM-6082002-TP | 2 | 64 |
| B1529-890-00C-A | 19 | 7 | EA-9500B00-00 | 6 | 14 | PA-3202001-00 | 16 | 1 | SM-6082002-TP | 17 | 2 |
| B1607-246-000 | 8 | 31 | EA-9500B00-00 | 21 | 9 | PA-4001501-00 | 17 | 1 | SM-8040502-TP | 2 | 55 |
| B1639-051-000 | 10 | 39 | EA-9500B01-00 | 4 | 30 | PJ-3010651-04 | 12 | 20 | SM-8040502-TP | 8 | 15 |
| B1803-246-000 | 10 | 31 | EA-9500B01-00 | 6 | 36 | PJ-3040651-02 | 16 | 12 | SM-8050602-TP | 6 | 53 |
| B1806-038-000 | 8 | 36 | EA-9500B01-00 | 24 | 17 | PJ-3040651-02 | 17 | 10 | SM-8050602-TP | 6 | 86 |
| B1820-246-00A | 10 | 18 | EA-9500B02-00 | 8 | 19 | PS-0200102-KH | 8 | 4 | SM-8050612-TP | 19 | 20 |
| B1820-246-00B | 10 | 19 | GAK-A14040A0 | 17 | 20 | PS-0200102-KH | 10 | 38 | SM-8050612-TP | 8 | 71 |
| B1820-246-00C | 10 | 20 | GAK-A14040C0 | 17 | 19 | PS-0400222-KO | 20 | 6 | SM-8052502-TP | 20 | 12 |
| B1820-246-00D | 10 | 21 | GAK-A1503000 | 14 | 19 | PS-0600502-KP | 18 | 22 | SM-8060602-TP | 3 | 28 |
| B1820-246-000 | 10 | 17 | GAK-A1503000 | 14 | 38 | PX-0151010-00 | 12 | 21 | SM-8080802-TP | 4 | 20 |
| B1826-246-000 | 10 | 5 | GAK-A2301AA0 | 14 | 14 | PX-0151010-00 | 16 | 13 | SM-8080812-TP | 3 | 14 |
| B1827-246-000 | 10 | 4 | GAK-A2301CA0 | 14 | 34 | RC-0560711-KP | 19 | 12 | SM-9061203-SE | 20 | 21 |
| B1836-246-000-A | 10 | 29 | GAK-A2302AA0 | 14 | 16 | RE-0500000-KO | 6 | 78 | SQ-1110401-MZ | 21 | 31 |
| B1853-512-00A-A | 11 | 31 | GAK-A2302A00 | 14 | 17 | RE-0500000-KO | 19 | 13 | SS-1092810-SP | 10 | 6 |
| B1853-512-00B-A | 11 | 32 | GAK-A2302CA0 | 14 | 35 | RE-0800000-KO | 6 | 89 | SS-2090520-SL | 2 | 46 |
| B1853-512-00C-A | 11 | 33 | GAK-A2302C00 | 14 | 36 | RE-0900000-KO | 8 | 79 | SS-2090710-TP | 2 | 23 |
| B1853-512-00D | 11 | 34 | GAK-A23030A0 | 14 | 27 | RO-0922702-00 | 8 | 64 | SS-2090710-TP | 2 | 29 |
| B1853-512-00E | 11 | 35 | GAK-A23030A0 | 14 | 28 | RO-0922702-00 | 19 | 14 | SS-3090610-SP | 21 | 17 |
| B1906-051-000 | 3 | 6 | GAK-A2303000 | 14 | 28 | SD-0380551-SL | 2 | 28 | SS-4080610-SP | 18 | 18 |
| B3016-141-H00 | 6 | 15 | GAK-A2304000 | 14 | 29 | SD-0470281-SP | 18 | 19 | SS-4110815-SP | 2 | 5 |
| B3120-125-000 | 18 | 11 | GAK-29009000 | 14 | 31 | SD-0600321-SP | 11 | 16 | SS-4110815-SP | 2 | 10 |
| B3125-012-000 | 18 | 6 | GAK-29010000 | 14 | 18 | SD-0600352-SP | 11 | 15 | SS-4110815-SP | 2 | 14 |
| B3126-012-000 | 18 | 8 | GAK-29010000 | 14 | 37 | SD-0600403-TP | 16 | 6 | SS-4110815-SP | 2 | 17 |
| B3128-520-000 | 18 | 4 | GAK-29011000 | 14 | 30 | SD-0600452-TP | 11 | 12 | SS-4110815-SP | 2 | 81 |
| B3129-526-000 | 18 | 10 | GBC-02621000 | 6 | 38 | SD-0640322-TP | 10 | 56 | SS-4110815-SP | 16 | 11 |
| B3137-051-0A0 | 18 | 5 | | | | | | SS-4111215-SP | 2 | 2 | |
| B3138-512-000 | 2 | 30 | | | | | | SS-4120615-SP | 12 | 15 | |
| B3205-210-000 | 19 | 10 | | | | | | SS-5090610-SP | 2 | 21 | |
| B3214-047-000 | 19 | 28 | | | | | | SS-5110710-SP | 2 | 39 | |
| B3309-704-0A0 | 23 | 20 | | | | | | SS-5110740-TP | 22 | 9 | |
| B3416-552-000 | 6 | 77 | | | | | | SS-6060220-SP | 11 | 41 | |
| B8131-019-000 | 20 | 31 | | | | | | SS-6090520-SP | 2 | 71 | |

N U M E R I C A L I N D E X O F P A R T S

索引

| PART NO 品番 | PAGE 頁 | REF NO | PART NO 品番 | PAGE 頁 | REF NO | PART NO 品番 | PAGE 頁 | REF NO | PART NO 品番 | PAGE 頁 | REF NO |
|---------------|-----------|-----------|----------------|-----------|-----------|---------------|-----------|-----------|---------------|-----------|-----------|
| SS-6090520-SP | 19 | 16 | SS-8150510-TP | 8 | 37 | 107-74404 | 6 | 59 | 213-45905 | 21 | 4 |
| SS-6090620-TP | 11 | 39 | SS-8150710-SP | 6 | 9 | 110-09909 | 8 | 63 | 213-46002 | 21 | 18 |
| SS-6090620-TP | 19 | 22 | SS-8150710-SP | 6 | 32 | 110-32701 | 8 | 65 | 213-46101 | 21 | 34 |
| SS-6091022-TP | 4 | 17 | SS-8150710-SP | 10 | 36 | 110-45101 | 18 | 15 | 213-46200 | 21 | 33 |
| SS-6110480-SP | 11 | 37 | SS-8150710-TP | 10 | 44 | 110-71701 | 6 | 43 | 213-46309 | 21 | 6 |
| SS-6110480-SP | 21 | 10 | SS-8150822-TP | 3 | 8 | 110-72402 | 18 | 16 | 213-46358 | 21 | 5 |
| SS-6110610-TP | 8 | 24 | SS-8150822-TP | 3 | 13 | 110-72402 | 19 | 30 | 213-46408 | 21 | 8 |
| SS-6110630-TP | 6 | 64 | SS-8150822-TP | 3 | 32 | 111-00500 | 12 | 18 | 213-46507 | 21 | 7 |
| SS-6110710-TP | 11 | 10 | SS-8150822-TP | 3 | 38 | 119-56802 | 18 | 12 | 213-47000 | 21 | 14 |
| SS-6110810-TP | 19 | 18 | SS-8150822-TP | 8 | 49 | 135-14310 | 6 | 29 | 213-47109 | 6 | 13 |
| SS-6111010-SP | 21 | 25 | SS-8151150-TP | 4 | 3 | 135-15606 | 12 | 16 | 213-47208 | 21 | 16 |
| SS-6111140-SP | 2 | 72 | SS-8660610-TP | 6 | 8 | 145-12503 | 19 | 17 | 213-48206 | 18 | 24 |
| SS-6111140-SP | 2 | 79 | SS-8660610-TP | 8 | 34 | 179-12106 | 2 | 26 | 213-48503 | 12 | 6 |
| SS-6111210-SP | 3 | 36 | SS-8660610-TP | 8 | 78 | | | | 213-48602 | 12 | 4 |
| SS-6111610-SP | 8 | 58 | SS-8660610-TP | 10 | 30 | 210-48707 | 6 | 88 | 213-48701 | 12 | 8 |
| SS-6111610-SP | 16 | 9 | SS-8660612-TP | 6 | 3 | 210-48707 | 8 | 17 | 213-48909 | 2 | 12 |
| SS-6120930-TP | 8 | 81 | SS-8660612-TP | 10 | 34 | 212-20413 | 2 | 49 | 213-49105 | 12 | 22 |
| SS-6121210-SP | 11 | 29 | SS-8660612-TP | 11 | 43 | 212-23409 | 10 | 37 | 213-51002 | 22 | 3 |
| SS-6121210-SP | 20 | 15 | SS-8660810-TP | 3 | 16 | 212-23508 | 10 | 40 | 213-51101 | 22 | 2 |
| SS-6121220-TP | 8 | 8 | SS-8660810-TP | 3 | 21 | 212-27301 | 10 | 22 | 213-51150 | 22 | 1 |
| SS-6121610-SP | 8 | 39 | SS-8660810-TP | 6 | 82 | 212-27400 | 10 | 3 | 213-51200 | 22 | 4 |
| SS-6121850-TP | 8 | 12 | SS-9152130-CP | 8 | 43 | 212-31204 | 10 | 8 | 213-53008 | 3 | 22 |
| SS-6121860-SP | 8 | 62 | | | | 213-31301 | 2 | 4 | 213-55706 | 19 | 24 |
| SS-6151040-SP | 11 | 2 | TA-0550604-RO | 2 | 38 | 213-31608 | 2 | 18 | 213-55755 | 19 | 23 |
| SS-6151040-SP | 17 | 14 | TA-0550604-RO | 6 | 10 | 213-31806 | 2 | 78 | 213-55805 | 2 | 20 |
| SS-6151210-SP | 11 | 22 | TA-0750404-RO | 2 | 11 | 213-32002 | 2 | 13 | 213-55904 | 2 | 6 |
| SS-6151220-SP | 17 | 23 | TA-1050504-RO | 2 | 40 | 213-32309 | 2 | 16 | 213-56308 | 17 | 11 |
| SS-6151440-SP | 22 | 7 | TA-1250406-RO | 2 | 3 | 213-32507 | 3 | 12 | 213-56407 | 17 | 12 |
| SS-6151440-SP | 22 | 14 | TA-1250504-RO | 2 | 15 | 213-32705 | 3 | 1 | 213-56506 | 17 | 3 |
| SS-6151780-SP | 6 | 27 | TA-1250504-RO | 2 | 68 | 213-33000 | 3 | 2 | 213-56605 | 17 | 6 |
| SS-6151920-SP | 6 | 30 | | | | 213-33109 | 3 | 17 | 213-56704 | 17 | 9 |
| SS-6152440-SP | 4 | 28 | WP-0320501-SC | 22 | 16 | 213-33505 | 10 | 46 | 213-56803 | 17 | 7 |
| SS-6153040-SP | 22 | 6 | WP-0371016-SD | 15 | 5 | 213-36300 | 8 | 75 | 213-57561 | 6 | 33 |
| SS-6153040-SP | 22 | 13 | WP-0450801-SD | 3 | 35 | 213-36508 | 3 | 20 | 213-57959 | 19 | 3 |
| SS-6661110-SP | 3 | 25 | WP-0501046-SC | 6 | 18 | 213-36557 | 3 | 19 | 213-57967 | 19 | 1 |
| SS-6661110-SP | 10 | 55 | WP-0520656-SA | 10 | 10 | 213-36607 | 8 | 68 | 213-63106 | 15 | 3 |
| SS-7080510-TP | 4 | 10 | WP-0612076-SP | 22 | 19 | 213-36656 | 8 | 67 | 213-78302 | 6 | 5 |
| SS-7090520-TP | 2 | 31 | WP-0621016-SH | 8 | 42 | 213-36706 | 8 | 72 | 213-78708 | 19 | 29 |
| SS-7090610-SP | 8 | 51 | WP-0641601-SD | 12 | 3 | 213-37308 | 8 | 54 | 214-01757 | 2 | 1 |
| SS-7090710-SP | 10 | 7 | WP-07071576-SD | 24 | 14 | 213-37407 | 8 | 47 | 214-02102 | 3 | 3 |
| SS-7090910-SP | 4 | 7 | WP-1702600-SO | 23 | 19 | 213-37506 | 8 | 44 | 214-02300 | 3 | 27 |
| SS-7090910-TP | 8 | 53 | WS-0510002-KN | 23 | 16 | 213-37506 | 8 | 45 | 214-05204 | 4 | 2 |
| SS-7091110-TP | 6 | 11 | WT-0530002-KS | 2 | 73 | 213-37605 | 8 | 56 | 214-05709 | 20 | 8 |
| SS-7091410-SP | 19 | 15 | | | | 213-37803 | 6 | 49 | 214-06103 | 6 | 48 |
| SS-7110510-SP | 6 | 20 | 100-04109 | 2 | 45 | 213-37803 | 8 | 48 | 214-06509 | 6 | 28 |
| SS-7110510-SP | 21 | 12 | 101-20004 | 12 | 17 | 213-37902 | 8 | 52 | 214-06608 | 6 | 92 |
| SS-7110570-SP | 15 | 4 | 101-24204 | 18 | 13 | 213-38009 | 8 | 57 | 214-07507 | 21 | 22 |
| SS-7110710-SP | 3 | 23 | 102-01200 | 2 | 74 | 213-38207 | 8 | 73 | 214-07606 | 21 | 23 |
| SS-7110710-SP | 21 | 30 | 102-05201 | 8 | 16 | 213-38306 | 8 | 50 | 214-07705 | 21 | 24 |
| SS-7110830-SP | 4 | 15 | 103-20109 | 18 | 3 | 213-38603 | 4 | 16 | 214-08505 | 2 | 25 |
| SS-7110830-SP | 6 | 80 | 103-21107 | 18 | 25 | 213-38702 | 4 | 14 | 214-08554 | 2 | 24 |
| SS-7110840-SP | 8 | 2 | 105-02300 | 19 | 21 | 213-38801 | 4 | 19 | 214-26002 | 2 | 59 |
| SS-7110840-SP | 14 | 2 | 105-03605 | 10 | 53 | 213-38900 | 4 | 18 | 214-26051 | 2 | 56 |
| SS-7110840-SP | 22 | 8 | 105-09701 | 6 | 22 | 213-39106 | 3 | 9 | 214-26101 | 2 | 58 |
| SS-7110910-TP | 4 | 13 | 105-29808 | 24 | 12 | 213-39205 | 4 | 24 | 214-26200 | 2 | 52 |
| SS-7110910-TP | 6 | 41 | 106-04809 | 3 | 40 | 213-39304 | 4 | 23 | 214-26309 | 2 | 66 |
| SS-7110910-TP | 8 | 46 | 106-18304 | 19 | 8 | 213-39502 | 3 | 15 | 214-26408 | 2 | 67 |
| SS-7110910-TP | 15 | 2 | 106-22009 | 2 | 8 | 213-39601 | 6 | 71 | 214-26507 | 2 | 65 |
| SS-7110910-TP | 18 | 23 | 107-04807 | 19 | 19 | 213-39809 | 6 | 79 | 214-26606 | 2 | 47 |
| SS-7111120-TP | 6 | 74 | 107-13501 | 6 | 75 | 213-39908 | 6 | 12 | 214-26705 | 2 | 33 |
| SS-7111410-SP | 17 | 24 | 107-13766 | 6 | 81 | 213-40005 | 6 | 87 | 214-26754 | 2 | 32 |
| SS-7111810-SP | 12 | 19 | 107-13808 | 6 | 83 | 213-40302 | 6 | 90 | 214-26853 | 2 | 36 |
| SS-7112810-SP | 2 | 51 | 107-14202 | 6 | 70 | 213-40401 | 6 | 1 | 214-26903 | 2 | 35 |
| SS-7113110-SP | 2 | 53 | 107-14509 | 6 | 84 | 213-40500 | 6 | 2 | 214-27000 | 3 | 31 |
| SS-7120760-SP | 12 | 13 | 107-14608 | 6 | 85 | 213-40708 | 21 | 11 | 214-27000 | 3 | 37 |
| SS-7120760-SP | 21 | 35 | 107-15001 | 6 | 61 | 213-40807 | 6 | 19 | 214-27059 | 3 | 30 |
| SS-7150740-SP | 6 | 93 | 107-15100 | 6 | 60 | 213-40906 | 6 | 42 | 214-27109 | 3 | 26 |
| SS-7150910-TP | 2 | 19 | 107-15308 | 6 | 66 | 213-41003 | 6 | 40 | 214-27208 | 10 | 45 |
| SS-7151210-SP | 12 | 7 | 107-15704 | 6 | 62 | 213-41052 | 6 | 39 | 214-27307 | 10 | 43 |
| SS-7621040-SP | 2 | 7 | 107-16504 | 6 | 76 | 213-41151 | 6 | 46 | 214-27604 | 8 | 30 |
| SS-8090540-SP | 10 | 58 | 107-18203 | 6 | 69 | 213-41508 | 6 | 68 | 214-27703 | 8 | 35 |
| SS-8110410-TP | 11 | 20 | 107-41106 | 18 | 14 | 213-41607 | 6 | 65 | 214-27802 | 8 | 27 |
| SS-8110422-TP | 11 | 5 | 107-59603 | 10 | 23 | 213-41904 | 6 | 4 | 214-27901 | 8 | 23 |
| SS-8110520-TP | 11 | 24 | 107-59603 | 24 | 9 | 213-45707 | 21 | 2 | 214-28008 | 8 | 3 |
| SS-8110710-SP | 8 | 10 | 107-74305 | 6 | 58 | 213-45756 | 21 | 1 | 214-28107 | 8 | 5 |
| SS-8150432-TH | 10 | 42 | 107-74354 | 6 | 57 | 213-45806 | 21 | 3 | 214-28206 | 2 | 54 |

NUMERICAL INDEX OF PARTS

索引

| PART NO 品番 | PAGE 頁 | REF NO | PART NO 品番 | PAGE 頁 | REF NO | PART NO 品番 | PAGE 頁 | REF NO | PART NO 品番 | PAGE 頁 | REF NO |
|---------------|-----------|-----------|---------------|-----------|-----------|---------------|-----------|-----------|---------------|-----------|-----------|
| 214-28305 | 8 | 38 | 214-41308 | 15 | 8 | | | | | | |
| 214-28404 | 8 | 41 | 214-41407 | 15 | 1 | | | | | | |
| 214-28503 | 8 | 40 | 214-41753 | 10 | 24 | | | | | | |
| 214-29006 | 8 | 7 | 214-42553 | 14 | 1 | | | | | | |
| 214-29105 | 8 | 11 | 214-42603 | 14 | 3 | | | | | | |
| 214-29204 | 8 | 18 | 214-42702 | 14 | 4 | | | | | | |
| 214-29303 | 10 | 33 | 214-42900 | 14 | 6 | | | | | | |
| 214-29501 | 8 | 9 | 214-43007 | 14 | 7 | | | | | | |
| 214-29600 | 8 | 20 | 214-43106 | 14 | 8 | | | | | | |
| 214-29709 | 8 | 14 | 214-43205 | 14 | 9 | | | | | | |
| 214-30004 | 4 | 27 | 214-43551 | 14 | 5 | | | | | | |
| 214-30053 | 4 | 26 | 214-43809 | 14 | 10 | | | | | | |
| 214-30103 | 4 | 29 | 214-43957 | 24 | 20 | | | | | | |
| 214-30202 | 8 | 59 | 214-44153 | 2 | 69 | | | | | | |
| 214-30301 | 8 | 61 | 214-44500 | 6 | 51 | | | | | | |
| 214-30400 | 8 | 22 | 214-44559 | 6 | 50 | | | | | | |
| 214-30806 | 10 | 13 | 214-44609 | 6 | 55 | | | | | | |
| 214-30855 | 10 | 11 | 214-44658 | 6 | 54 | | | | | | |
| 214-31002 | 10 | 15 | 214-44708 | 6 | 56 | | | | | | |
| 214-31200 | 10 | 27 | 225-37658 | 19 | 2 | | | | | | |
| 214-31457 | 10 | 2 | 225-38151 | 19 | 4 | | | | | | |
| 214-32505 | 20 | 16 | 225-38409 | 19 | 6 | | | | | | |
| 214-32604 | 20 | 10 | 225-38706 | 19 | 32 | | | | | | |
| 214-32703 | 20 | 3 | 226-04904 | 3 | 24 | | | | | | |
| 214-32851 | 20 | 1 | 226-05406 | 3 | 4 | | | | | | |
| 214-33008 | 20 | 5 | 226-10505 | 8 | 80 | | | | | | |
| 214-33107 | 20 | 7 | 226-17906 | 18 | 9 | | | | | | |
| 214-33206 | 20 | 14 | 226-18201 | 18 | 7 | | | | | | |
| 214-33305 | 20 | 22 | 226-19100 | 2 | 75 | | | | | | |
| 214-33354 | 20 | 20 | 226-56003 | 12 | 14 | | | | | | |
| 214-33404 | 20 | 27 | 226-56102 | 12 | 12 | | | | | | |
| 214-33503 | 20 | 29 | 228-14909 | 4 | 4 | | | | | | |
| 214-33800 | 21 | 28 | 228-14909 | 4 | 25 | | | | | | |
| 214-34402 | 22 | 11 | 228-14909 | 8 | 21 | | | | | | |
| 214-34451 | 22 | 10 | 229-04106 | 6 | 7 | | | | | | |
| 214-34501 | 22 | 12 | 229-04155 | 6 | 6 | | | | | | |
| 214-35102 | 8 | 1 | 229-12109 | 8 | 66 | | | | | | |
| 214-37009 | 2 | 50 | 229-30309 | 23 | 14 | | | | | | |
| 214-37108 | 2 | 77 | 229-30358 | 23 | 1 | | | | | | |
| 214-37207 | 2 | 9 | 229-30408 | 23 | 10 | | | | | | |
| 214-37306 | 2 | 76 | 229-30507 | 23 | 9 | | | | | | |
| 214-37405 | 2 | 70 | 229-30705 | 23 | 7 | | | | | | |
| 214-37504 | 10 | 14 | 229-30804 | 23 | 5 | | | | | | |
| 214-37553 | 10 | 12 | 229-30903 | 23 | 4 | | | | | | |
| 214-37603 | 10 | 16 | 229-31000 | 23 | 3 | | | | | | |
| 214-37702 | 10 | 32 | 229-31109 | 23 | 2 | | | | | | |
| 214-38007 | 4 | 12 | 229-31208 | 23 | 15 | | | | | | |
| 214-38106 | 6 | 31 | 229-31307 | 23 | 11 | | | | | | |
| 214-38205 | 6 | 73 | 229-31406 | 23 | 8 | | | | | | |
| 214-38403 | 16 | 3 | 229-32404 | 20 | 18 | | | | | | |
| 214-38502 | 16 | 5 | 229-32453 | 20 | 17 | | | | | | |
| 214-38601 | 16 | 8 | 229-33006 | 24 | 2 | | | | | | |
| 214-38700 | 16 | 10 | 229-34202 | 20 | 25 | | | | | | |
| 214-39005 | 11 | 1 | 229-34301 | 20 | 26 | | | | | | |
| 214-39104 | 11 | 9 | 229-34400 | 20 | 24 | | | | | | |
| 214-39203 | 11 | 11 | 229-34509 | 20 | 23 | | | | | | |
| 214-39302 | 11 | 14 | 229-34707 | 20 | 19 | | | | | | |
| 214-39401 | 11 | 17 | 229-58300 | 24 | 10 | | | | | | |
| 214-39500 | 11 | 18 | 230-02009 | 4 | 1 | | | | | | |
| 214-39609 | 11 | 21 | 230-6406 | 18 | 26 | | | | | | |
| 214-39708 | 11 | 23 | 231-00506 | 2 | 48 | | | | | | |
| 214-39807 | 11 | 25 | 231-02205 | 10 | 26 | | | | | | |
| 214-39906 | 11 | 27 | 231-02601 | 10 | 25 | | | | | | |
| 214-40003 | 11 | 30 | 231-02700 | 10 | 41 | | | | | | |
| 214-40102 | 11 | 38 | 231-04201 | 11 | 3 | | | | | | |
| 214-40102 | 24 | 18 | 236-36202 | 19 | 5 | | | | | | |
| 214-40201 | 11 | 40 | | | | | | | | | |
| 214-40201 | 24 | 19 | | | | | | | | | |
| 214-40300 | 11 | 42 | | | | | | | | | |
| 214-40474 | 3 | 39 | | | | | | | | | |
| 214-40508 | 11 | 19 | | | | | | | | | |
| 214-40607 | 11 | 36 | | | | | | | | | |
| 214-41050 | 18 | 2 | | | | | | | | | |
| 214-41068 | 18 | 1 | | | | | | | | | |
| 214-4110 | 18 | 17 | | | | | | | | | |
| 214-41209 | 15 | 7 | | | | | | | | | |

JUKI®

JUKI CORPORATION

INTERNATIONAL SALES H.Q.
8-2-1, KOKURYO-CHO, CHOFU-SHI
TOKYO 182-8655, JAPAN
PHONE : (81)3-3430-4001 to 4005
FAX : (81)3-3430-4909 . 4914 . 4984
TELEX : J22967

Copyright © 2001 JUKI CORP.
本書の内容を無断で転載、複写すること
を禁止します。
All rights reserved throughout the world.

JUKI 株式会社

〒182-8655 東京都調布市国領町8-2-1
TEL. 03-3480-1111(代表)

営業本部
TEL. 03-3430-4001(ダイヤルイン)

お買い求め、ご相談は
To order or for further
information,
please contact :

※このパーツリストは商品改良のため予告なく変更する事があります。
* The description covered in this parts list is subject to change for improvement of the commodity without notice.
※このパーツリストは、2001年8月 現在の商品仕様で編集したものです。
* This parts list is edited in accordance with the product specifications as of August 2001.